

Installation & Operator's Manual

Questions? Help is just a moment away!

Call: **Transfer Switch Helpline**
1-800-743-4115 M-F 8-5 CT
BRIGGSandSTRATTON.COM



100 AMP/200 AMP
Automatic Transfer Switch
with AC Power Control Module™



Models 071018, 071019, 071020 & 071021
201705GS Rev. - (12/14/06)

Thank you for your purchase of this Briggs & Stratton Power Products Automatic Transfer Switch. This product is intended for use with Briggs & Stratton Home Standby Generator sets **ONLY**. This is an optional home standby system which provides an alternate source of electric power and to serve loads such as a gas furnace, refrigeration and communication systems that, when stopped during any power outage, could cause discomfort or the like. This product **DOES NOT** qualify for emergency standby as defined by NFPA 70 (NEC).

This manual contains safety information to make you aware of the hazards and risks associated with transfer switches and how to avoid them. Briggs & Stratton has made every effort to provide for a safe, streamlined and cost-effective installation. Each installation is unique, it is impossible to know of and advise of all conceivable procedures and methods by which installation might be achieved. We do not know all possible hazards and/or the results of each method or procedure. Save these instructions for future reference.

This transfer switch requires installation before use. Refer to the *Installation* section of this manual for instructions on installation procedures. **Only licensed electrical contractors should install transfer switches. Installations must strictly comply with all applicable federal, state and local codes, standards and regulations.**

Where to Find Us

You never have to look far to find Briggs & Stratton support and service for your transfer switch. Consult your Yellow Pages. There are over 30,000 Briggs & Stratton authorized service dealers worldwide who provide quality service. You can also contact Briggs & Stratton Customer Service by phone at **(800) 743-4115**, or on the Internet at BRIGGSandSTRATTON.COM.

Transfer Switch

Model Number

--	--	--	--	--	--	--	--

Revision

--	--

Serial Number

--	--	--	--	--	--	--	--	--	--	--	--

Date Purchased

--	--	--	--	--	--

Briggs & Stratton Power Products Group, LLC
900 North Parkway
Jefferson, WI 53549

Copyright © 2006 Briggs & Stratton Power Products Group, LLC. All rights reserved. No part of this material may be reproduced or transmitted in any form by any means without the express written permission of Briggs & Stratton Power Products Group, LLC.

Table of Contents

Important Safety Instructions	2
Owner Orientation	3
Installer Responsibilities	3
Equipment Description	3
Installation	4
Unpacking	4
Mounting Guidelines	4
Power Wiring Interconnections	6
Supervisory Control Wiring	7
System Setup	7
Controls	7
Operation	8
Testing the Automatic Transfer Switch	8
Maintenance	9
Specifications	9
Troubleshooting	10
Schematic and Wiring Diagram, Models 071018 and 071019	11
Schematic and Wiring Diagram, Models 071020 and 071021	12
Illustrated Parts List, Model 071018	13
Illustrated Parts List, Model 071019	14
Illustrated Parts List, Model 071020	15
Illustrated Parts List, Model 071021	16
Warranty	17

Safety

Installation

Controls

Operation

Maintenance

Troubleshooting

Warranty

Español


ES


Français

FR

Save These Instructions



Important Safety Instructions



 **This is the safety alert symbol. It is used to alert you to potential personal injury hazards. Obey all safety messages that follow this symbol to avoid possible injury or death.**



The safety alert symbol () is used with a signal word (DANGER, CAUTION, WARNING), a pictorial and/or a safety message to alert you to hazards. **DANGER** indicates a hazard which, if not avoided, *will* result in death or serious injury. **WARNING** indicates a hazard which, if not avoided, *could* result in death or serious injury. **CAUTION** indicates a hazard which, if not avoided, *might* result in minor or moderate injury. **NOTICE** indicates a situation that could result in equipment damage. Follow safety messages to avoid or reduce the risk of injury or death.

The manufacturer cannot possibly anticipate every possible circumstance that might involve a hazard. The warnings in this manual, and the tags and decals affixed to the unit are, therefore, not all-inclusive. If you use a procedure, work method or operating technique that the manufacturer does not specifically recommend, you must satisfy yourself that it is safe for you and others. You must also make sure that the procedure, work method or operating technique that you choose does not render the transfer switch unsafe.

 WARNING
Only qualified electricians should attempt installation of this system, which must strictly comply with applicable codes, standards and regulations.

 WARNING
 Low voltage wire cannot be installed in same conduit as power voltage wiring.
<ul style="list-style-type: none"> • Failure to follow above warning could cause personal injury, damage and/or malfunction of equipment.

 WARNING
 Failure to properly ground transfer switch can result in electrocution.
<ul style="list-style-type: none"> • DO NOT touch bare wires or receptacles. • DO NOT use transfer switch with worn, frayed, bare or otherwise damaged wiring. • DO NOT handle electrical cords while standing in water, while barefoot, or while hands or feet are wet. • If you must work around a unit while it is operating, stand on an insulated dry surface to reduce shock hazard. • DO NOT allow unqualified persons or children to operate or service transfer switch. • In case of an accident caused by electrical shock, immediately shut down the source of electrical power and contact local authorities. Avoid direct contact with the victim.

 WARNING
 Transfer Switch contains hazardous voltage that can cause personal injury or death.
<ul style="list-style-type: none"> • Despite the safe design of the transfer switch, operating this equipment imprudently, neglecting its maintenance or being careless can cause possible injury or death.

NOTICE
Improper treatment of transfer switch can damage it and shorten its life.
<ul style="list-style-type: none"> • Use transfer switch only for intended uses. • If you have questions about intended use, ask dealer or contact Briggs and Stratton Power Products. • Do not expose transfer switch to excessive moisture, dust, dirt, or corrosive vapors. • Remain alert at all times while working on this equipment. Never work on the equipment when you are physically or mentally fatigued. • If connected devices overheat, turn them off and turn off their circuit breaker/fuse.

Introduction

Your Briggs & Stratton Transfer Switch is supplied with this combined “Installation and Operator’s Manual”. This is an important document and should be retained by the owner after the installation has been completed.

Every effort has been expended to make sure that the information in this manual is both accurate and current. However, the manufacturer reserves the right to change, alter or otherwise improve the system at any time without prior notice.

For the Home Owner

To help you make informed choices and communicate effectively with your installation contractor(s),

Read and understand the Owner Orientation Section of this manual BEFORE contracting or starting your transfer switch installation.

To arrange for proper installation, contact the store at which you purchased your Briggs & Stratton Transfer Switch, your dealer, or your utility power provider.

The Transfer Switch Warranty is VOID unless the system is installed by a licensed electrical professional.

Owner Orientation

The illustrations are for typical circumstances and are meant to familiarize you with the installation options available with your transfer switch.

Local codes, appearance, and distances are the factors that must be considered when negotiating with an installation professional. As the distance from the existing electrical service increases, compensation in wiring materials must be allowed for. This is necessary to comply with local codes and overcome electrical voltage drops.

The factors mentioned above will have a direct effect on the overall price of your transfer switch installation.

NOTE: Your installer must check local codes AND obtain permits before installing the system.

- Read and follow the instructions given in this manual.
- Follow a regular schedule in caring for and using your transfer switch, as specified in the manual.

Installer Responsibilities

- Read and observe the safety rules.
- Read and follow the instructions given in this manual.
- Check federal, state and local codes and authority having jurisdiction, for questions on installation.
- Ensure generator is not overloaded with selected loads.

If you need more information about the transfer switch, call (800) 743-4115, between 8:00 AM and 5:00 PM CT.

Equipment Description

These transfer switches are intended to transfer the entire electrical load of normal residential installations when used with the supervisory contacts provided. The load is connected either to utility power (normal) or home standby power (generator). The transfer switch monitors utility and generator voltages and will automatically connect to the appropriate source of power.

Major components of the transfer switch are a 2 pole utility disconnect circuit breaker (models 071020 & 071021 only), a 2 pole double throw transfer switch, control circuit board, fused utility terminals and interconnecting wiring. The control board also has two inputs for current transformers used to sense generator current.

The transfer switch is solenoid-operated from utility or generator inputs and contains suitable mechanical and electrical interlock switches to eliminate the possibility of connecting the utility service to the generator output. It has ratings capable of switching full utility power into the residence. In addition, a manual override lever is provided for the transfer function.

The control circuit board has active circuits sensing utility and generator voltages. It creates a signal for the generator start-up, switch transfer, and retransfer when utility is restored. The control board also contains red and green LED’s indicating the power sources available and two relay operated contacts that provide supervisory control of external loads.

Installation

Unpacking

Delivery Inspection

After removing the carton, carefully inspect the transfer switch components for any damage that may have occurred during shipment.

IMPORTANT: If loss or damage is noted at time of delivery, have the person(s) making delivery note all damage on the freight bill and affix his signature under the consignor's memo of loss or damage. If loss or damage is noted after delivery, contact the carrier for claim procedures. Missing or damaged parts are not warranted.

Shipment Contents

- Automatic Power Transfer Switch
- Two Current Transformers
- Installation and Operator's Manual

Mounting Guidelines

The Automatic Transfer Switch is enclosed in NEMA Type 3R enclosures suitable for indoor or indoor/outdoor use.

Guidelines for mounting the Automatic Transfer Switch include:

- Install the switch on a firm, sturdy supporting structure.
- The switch must be installed with minimum NEMA 3R hardware for conduit connections.
- To prevent switch contact distortion, level and plumb the enclosure. This can be done by placing washers between the switch enclosure and the mounting surface.
- Never install the switch where any corrosive substance might drip onto the enclosure.
- Protect the switch at all times against excessive moisture, dust, dirt, lint, construction grit and corrosive vapors.

A typical installation of the Automatic Power Transfer Switch for Models 071018 and 071019 is depicted in Figure 1. An alternative installation of the Automatic Power Transfer Switch is depicted in Figure 2.

It is best if the transfer switch is mounted near the utility watt-hour meter, either inside or outside. Discuss layout suggestions/changes with the owner before beginning the system installation process.

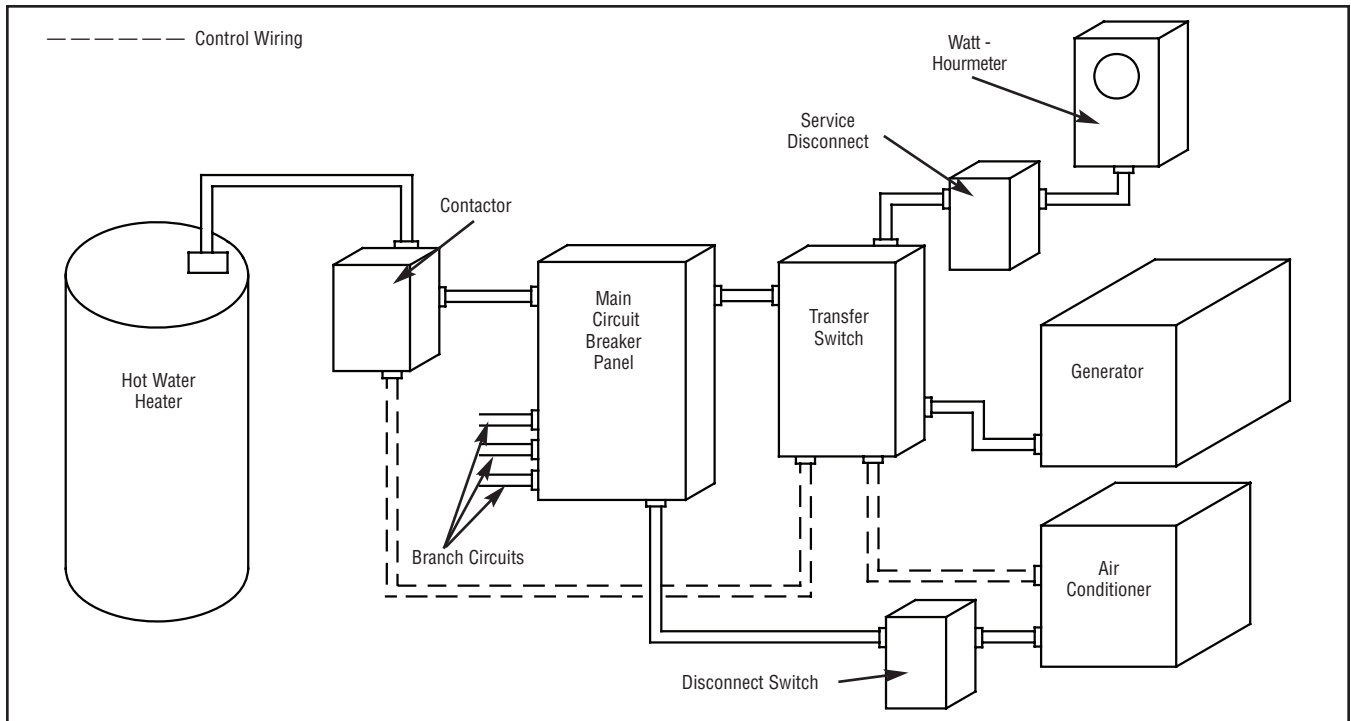
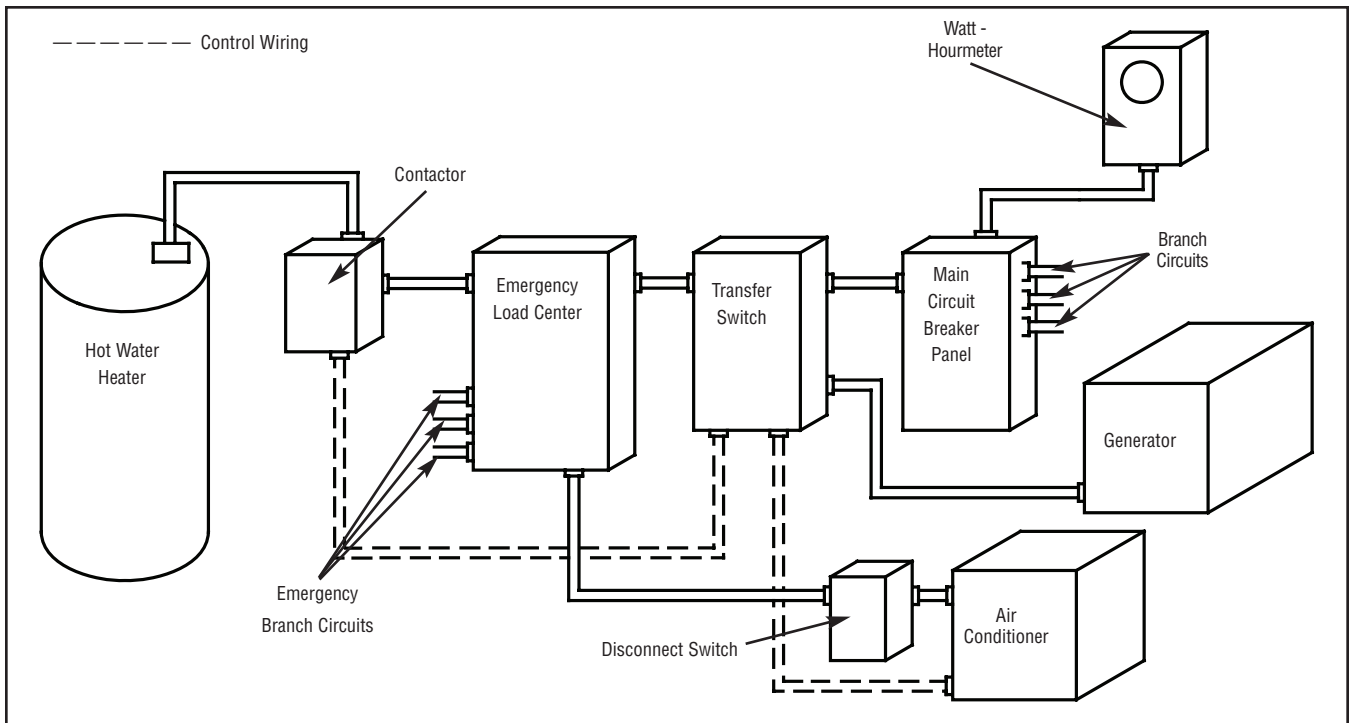


Figure 1 - Typical Transfer Switch Mounting for Models 071018 and 071019



Installation

Figure 2 - Alternate Transfer Switch Mounting

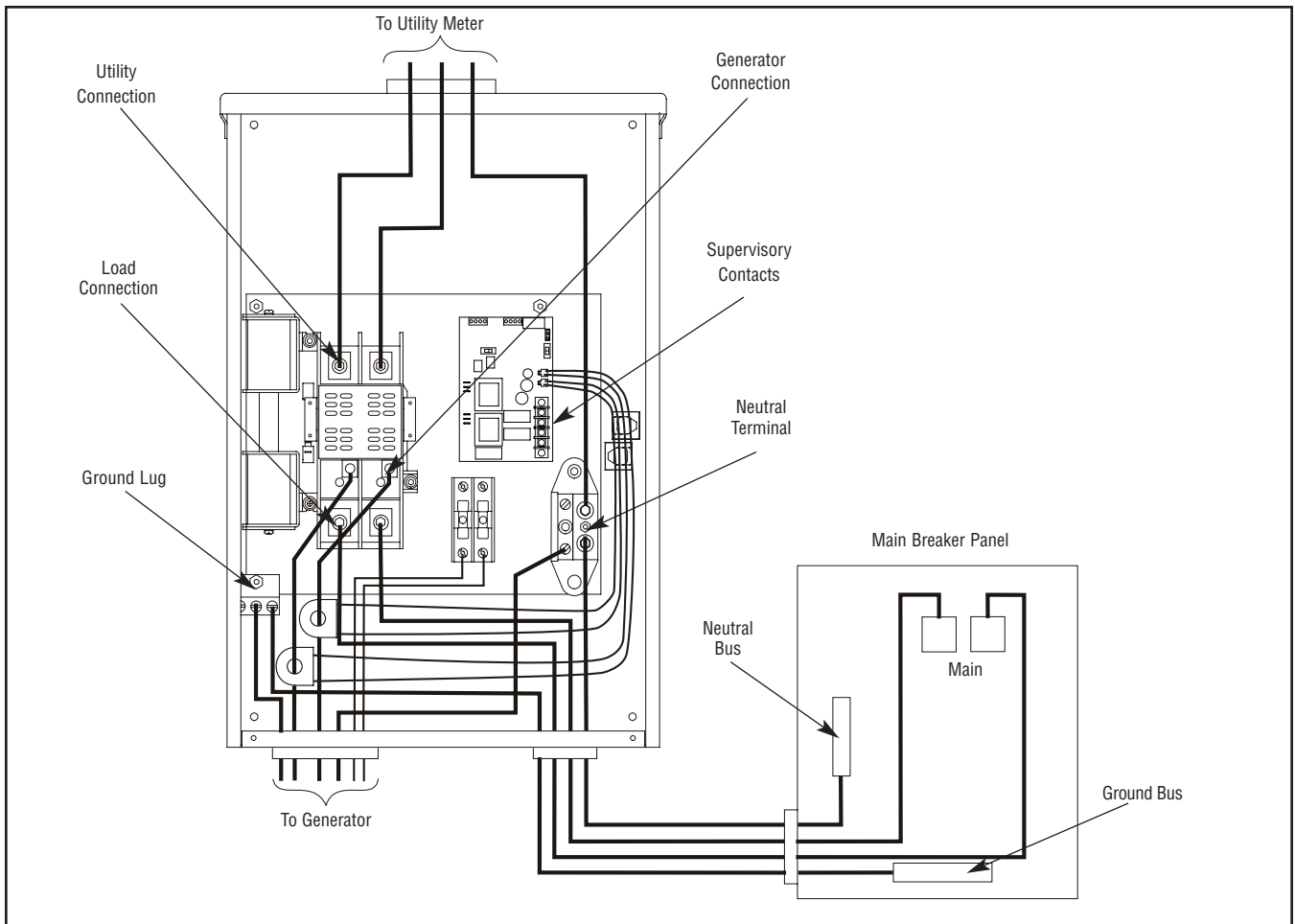


Figure 3 - Typical Installation Diagram for Model 071018 & 071019 Transfer Switches

Power Wiring Interconnections

All wiring must be the proper size, properly supported and protected by conduit.

Complete the following connections between the transfer switch, main distribution panel, utility power and generator, as shown in Figures 3 and 4.

WARNING	
	Low voltage wire cannot be installed in same conduit as power voltage wiring.
<ul style="list-style-type: none"> Failure to follow above warning could cause personal injury, damage and/or malfunction of equipment. 	

1. Ensure utility power is turned OFF. Connect utility feeder conductors to transfer switch terminals marked "UTILITY CONNECTION".

2. Connect utility Neutral conductor to the transfer switch "NEUTRAL" terminal.
3. Connect main breaker panel feeder conductors to transfer switch terminals marked "LOAD CONNECTION".
4. Connect main breaker panel Neutral conductor to transfer switch "NEUTRAL" terminal.
5. Connect main breaker panel Ground conductor to the transfer switch "GND" terminal.

NOTE: Assure grounding electrode conductor is connected and bonded per applicable federal, state and local codes, standards and regulations.

6. Connect generator feeder conductors from the generator control panel to transfer switch terminals marked "GENERATOR CONNECTION" Each conductor should pass through hole of current transformer before making connection.
7. Plug in current transformer leads into "CT1" and "CT2" on control module.

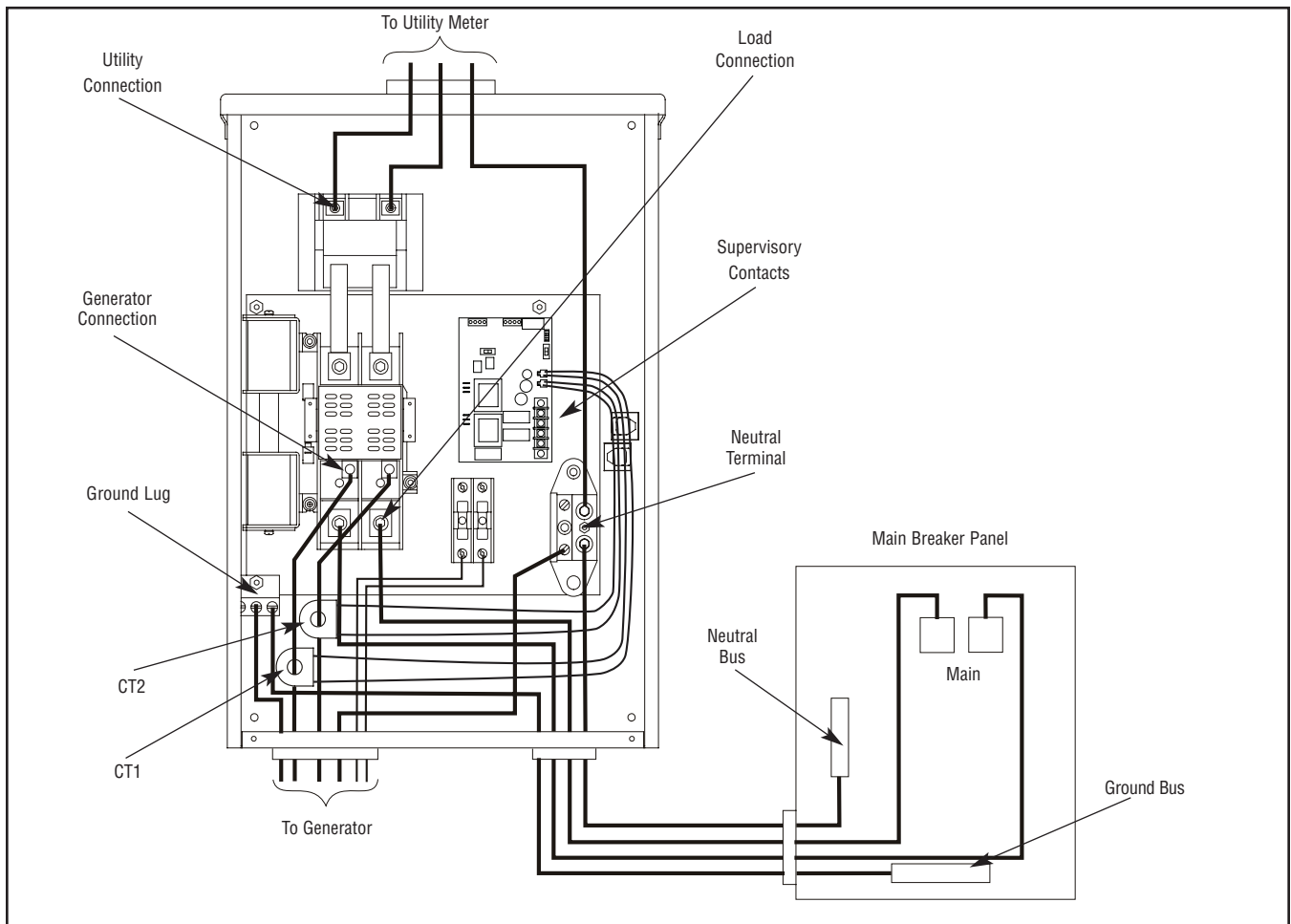


Figure 4 - Typical Installation Diagram for Model 071020 and 071021 Transfer Switches

8. Connect Neutral conductor from the generator control panel to the transfer switch “NEUTRAL” terminal.
9. Connect generator Ground conductor from the control panel to the transfer switch “GND” terminal.

NOTE: Assure generator equipment grounding conductor is connected per applicable federal, state and local codes, standards and regulations.

10. Connect generator “UTILITY 240 VAC” terminals to transfer switch “UTILITY 240 VAC” terminals. Use minimum #14 AWG conductors.
11. Tighten all wire connections/fasteners to proper torque. See inside transfer switch enclosure for proper torque values.

Supervisory Control Wiring

1. Terminal strip on control module in transfer switch has four connections for customer use. There are two sets of “Normally Closed” contacts available. They will be activated when generator power is required. These can be used for supervisory control of large connected loads on generator. Loads will be allowed to operate if there is enough generator power available.

NOTE: There are two wireways provided to keep the supervisory loads separated from each other.

2. Terminals “A-A” on control module are rated for 24 VAC and air conditioner contactor control. Contacts are connected in series with the air conditioner contactor control circuit (Figure 5).

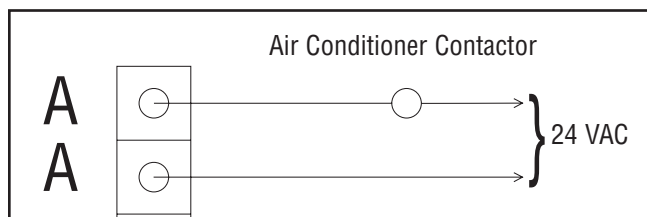


Figure 5 — Terminals “A-A”

3. Terminals “B-B” on control module are rated for 1 Amp 125 VAC and installer supplied contactor to control a large load. Example: electric hot water heater. Contacts are connected in series with the contactor control circuit (Figure 6).

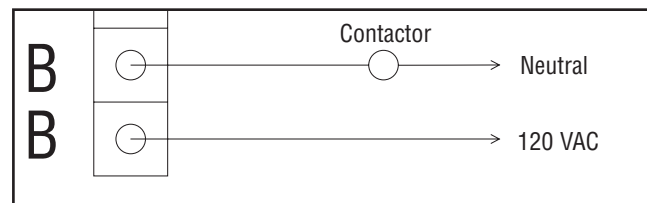


Figure 6 — Terminals “B-B”

4. Tighten all wire connections/fasteners to proper torque. See inside transfer switch enclosure for proper torque values.

System Setup

You must perform the following on the control module before operating the system:

- If generator is installed in an area regularly subjected to temperatures below 40°F (4°C), select a 50 second warm up time by moving jumper installed on JP2 (Figure 7) from ‘20’ position to ‘50’ position.
- Place 2 position switch (Figure 7) in ‘NG’ or ‘LP’ position, whichever is appropriate for your system.
- Place 3 position switch (Figure 7) to match KW rating of installed generator.

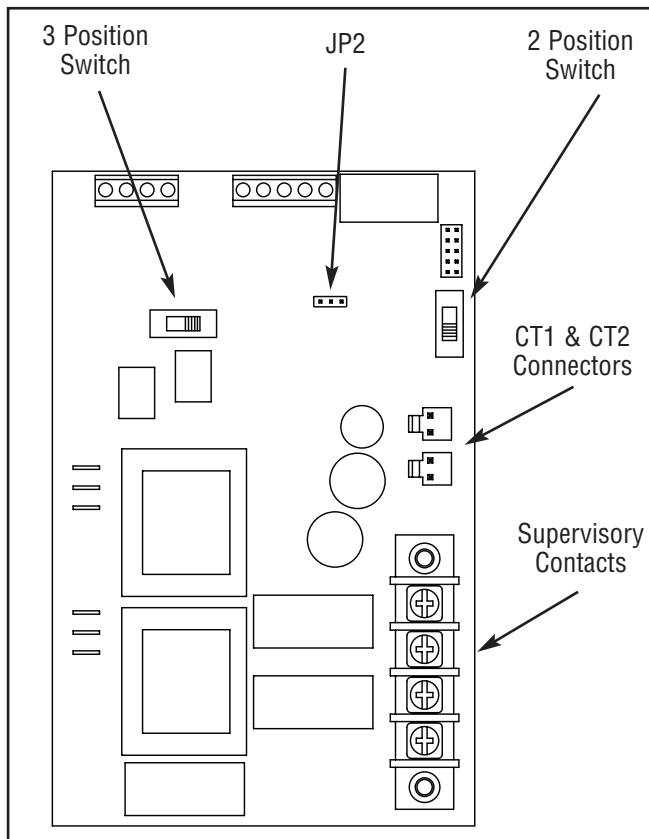


Figure 7 — Control Module

Controls

Other than a Manual Override lever, there are no operator controls because this is an automatic transfer switch. The manual override is to be used only by licensed professionals.

Operation

To select automatic transfer operation, do the following:

- 1A. For models 071018 & 071019, set disconnect switch that sends utility power to transfer switch to “**On**” position. This switch is probably located in the main breaker panel.
- 1B. For models 071020 & 071021, set utility breaker in transfer switch “**On**” position.
 2. Set generator main circuit breaker to its “**On**” position.
 3. Install 15 Amp fuse in generator control panel.
- 4A. If generator is equipped with a system ON/OFF switch, set switch to “**On**” position.
- 4B. If generator is equipped with a AUTO/OFF/MANUAL switch, set switch to “**AUTO**” position.

The system will now be in automatic operation mode.

When the generator is providing power to the transfer switch, the control module is constantly monitoring generator power. If the air conditioner is called to run, and there is sufficient generator power available, the control module will close contacts “A-A” to air conditioner contactor. Contacts “B-B” will open before contacts A-A close. If loads are too great for generator, contacts A-A and/or B-B will open. When air conditioning is not needed, A-A will open. If enough power is available, B-B will close.

Testing the Automatic Transfer Switch

Turn the disconnect switch feeding the transfer switch contactor to the “**Off**” position. The Automatic Sequence of the system will follow. To go back to utility power, turn the disconnect to the “**On**” position.

Automatic Sequence

Utility Fail

The Home Standby Generator set senses when utility voltage is below 70 percent of nominal. Engine start sequence is initiated after 6 second time delay.

Engine Warm-Up

Time delay to allow for engine warm-up before transfer fixed at 20 seconds or 50 seconds with removal of jumper on control board (see *System Setup*).

Transfer

Transfer from utility to generator supply occurs after voltage is above set levels. Minimum engine run time is 5 minutes after transfer.

Utility Pickup

Voltage pickup level is 80 percent of nominal voltage.

Retransfer

Retransfer from generator to utility supply is approximately 10 seconds after utility voltage supply is above utility pickup level and minimum run time is completed.

Engine Cool Down

Engine will run for 60 seconds after retransfer.

When Calling the Factory

Before contacting Briggs and Stratton Power Products regarding service or repair of this transfer switch, obtain the Model Number and Serial Number from the unit data decal located on or inside the enclosure.

To contact Briggs and Stratton Power Products call 1-800-743-4115, between 8:00 AM and 5:00 PM CT.

Maintenance

The transfer switch is designed to be maintenance free under normal usage. However, inspection and maintenance checks should be made on a regular basis. Maintenance will consist mainly of keeping the transfer switch clean.

Visual inspections should be done at least once a month. Access to transfer switch must not be obstructed. Keep 3 feet (1 m) clearance around transfer switch. Check for an accumulation of dirt, moisture and/or corrosion on and

around the enclosure, loose parts/hardware, cracks and/or discoloration to insulation, and damaged or discolored components.

Exercise the transfer switch at least once every three months as described in section *Testing the Automatic Transfer Switch* unless a power outage occurs and home generator system has gone through an automatic sequence. Allow generator to run for at least 30 minutes.

Contact a licensed electrical professional to inspect and clean the inside of your transfer switch at least once a year.

Specifications

UL® 1008 Listed Transfer Switch

Model 071018

Maximum Load Current100 Amps
 Rated AC Voltage250 Volts
 Poles2
 Frequency50/60 Hz
 Fault Current Rating22,000 RMS Symmetrical Amperes
 Supervisory Contacts Rating:
 A-A Terminals24 Volt AC
 B-B Terminals1 Amp, 125 Volt AC, Pilot Duty
 Weight21 lbs.

Model 071019

Maximum Load Current200 Amps
 Rated AC Voltage250 Volts
 Poles2
 Frequency50/60 Hz
 Fault Current Rating25,000 RMS Symmetrical Amperes
 Supervisory Contacts Rating:
 A-A Terminals24 Volt AC
 B-B Terminals1 Amp, 125 Volt AC, Pilot Duty
 Weight34 lbs.

Model 071020

Maximum Load Current100 Amps
 Rated AC Voltage250 Volts
 Poles2
 Frequency50/60 Hz
 Fault Current Rating22,000 RMS Symmetrical Amperes
 Supervisory Contacts Rating:
 A-A Terminals24 Volt AC
 B-B Terminals1 Amp, 125 Volt AC, Pilot Duty
 Weight32 lbs.

Model 071021

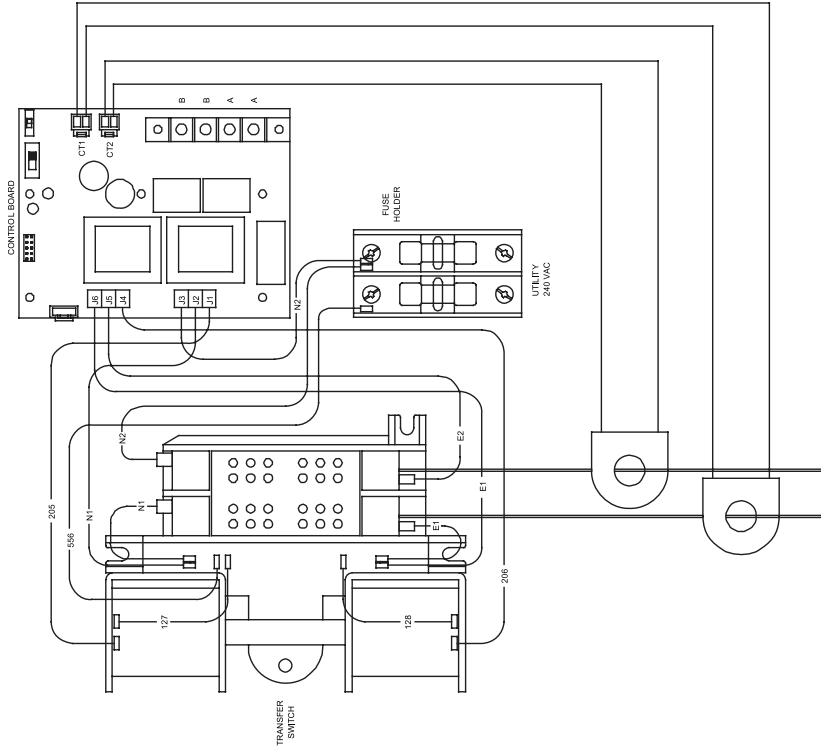
Maximum Load Current200 Amps
 Rated AC Voltage250 Volts
 Poles2
 Frequency50/60 Hz
 Fault Current Rating25,000 RMS Symmetrical Amperes
 Supervisory Contacts Rating:
 A-A Terminals24 Volt AC
 B-B Terminals1 Amp, 125 Volt AC, Pilot Duty
 Weight44 lbs.

Troubleshooting

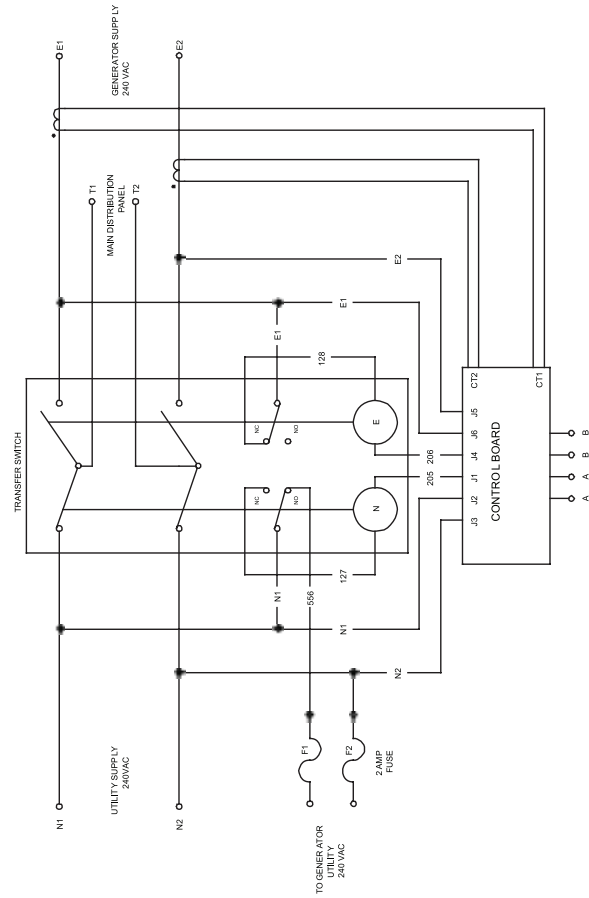
Problem	Cause	Correction
Automatic transfer switch does not transfer to generator	<ol style="list-style-type: none"> 1. Generator breaker open. 2. Generator voltage not acceptable. 	<ol style="list-style-type: none"> 1. Reset generator circuit breaker. 2. Refer to generator manual.
Automatic transfer switch does not transfer to utility	<ol style="list-style-type: none"> 1. Utility disconnect breaker open (Models 071020 & 071021 only). 2. Service disconnect breaker open. 3. Utility voltage not acceptable. 	<ol style="list-style-type: none"> 1. Reset utility disconnect breaker (Models 071020 & 071021 only). 2. Reset service disconnect breaker. 3. Wait for utility voltage to return to normal.
Generator is still running after switch transfers to utility power	Engine cool down period.	Engine should stop after 1 minute.
Supervised loads (air conditioner, etc.) are not operating when generator is supplying power	<ol style="list-style-type: none"> 1. A-A or B-B contacts not operating correctly. 2. Too much load on generator. 3. Current transformer not connected. 4. Broken current transformer. 	<ol style="list-style-type: none"> 1. Check A-A or B-B contacts for proper operation and/or check control wiring to external load. 2. Decrease load to generator. 3. Plug CT connectors into control board. 4. Contact local Briggs & Stratton Power Products service center.
Generator is still running after utility power is restored	<ol style="list-style-type: none"> 1. Minimum engine run time has not elapsed. 2. Fuse(s) in transfer switch is defective. 	<ol style="list-style-type: none"> 1. Wait five minutes for transfer switch to retransfer to utility power. 2. Check fuse(s) and replace if necessary.

Schematic and Wiring Diagram, Models 071018 and 071019

WIRE DIAGRAM



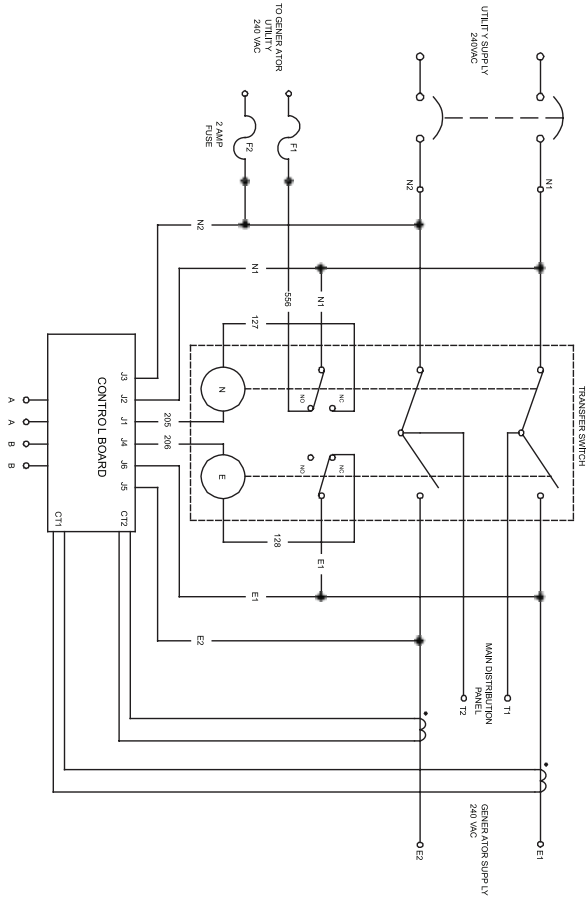
WIRE SCHEMATIC



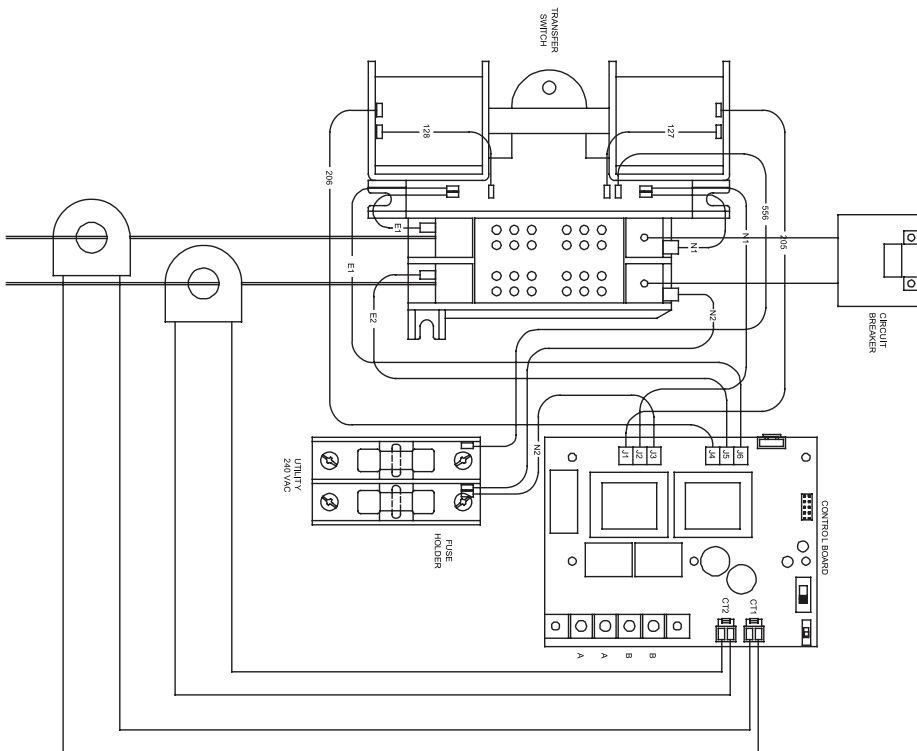
Troubleshooting

Schematic and Wiring Diagram, Models 071020 and 071021

WIRE SCHEMATIC

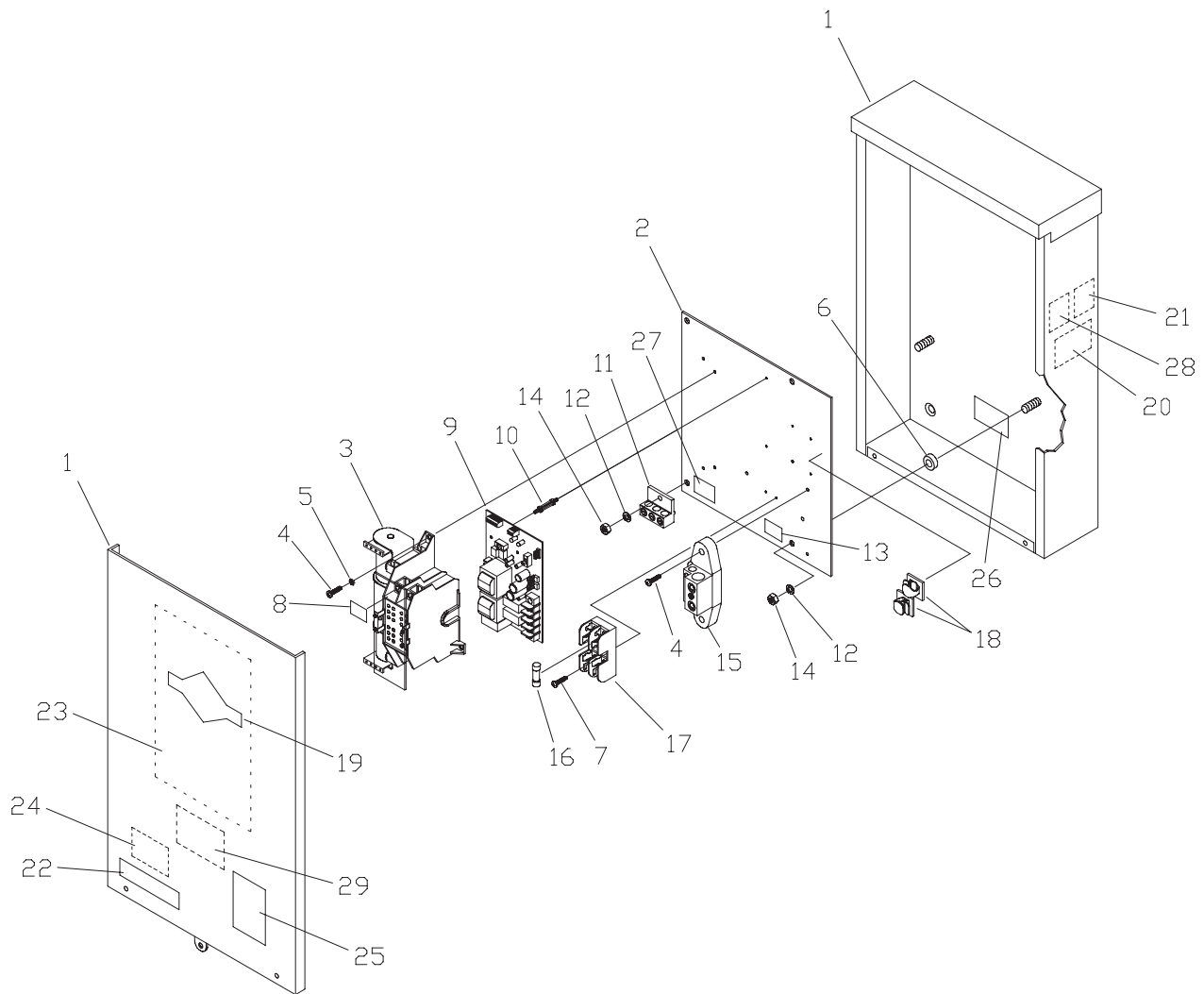


WIRE DIAGRAM



Troubleshooting

Illustrated Parts List, Model 071018



Item	Part #	Description
1	NSP	ENCLOSURE, 16" x 12" x 6"
2	NSP	BACK PANEL
3	195667GS	TRANSFER SWITCH, 100A, with Cover & Handle
4	*	PPHMS, #10 - 32 x 1/2"
5	*	WASHER, Ext. Tooth, #10
6	192150GS	SPACER
7	*	PPHMS, #6-32 x 3/8"
8	193159GS	DECAL, Reinstall After
9	197279GS	CONTROL, Board
10	201685GS	SPACER
11	196094GS	GROUND LUG
12	*	WASHER, Lock 1/4"
13	192597GS	DECAL, Utility, 240 VAC
14	*	NUT, 1/4" - 20
15	192696GS	TERMINAL, Neutral
16	B4857GS	FUSE
17	192151GS	FUSE HOLDER

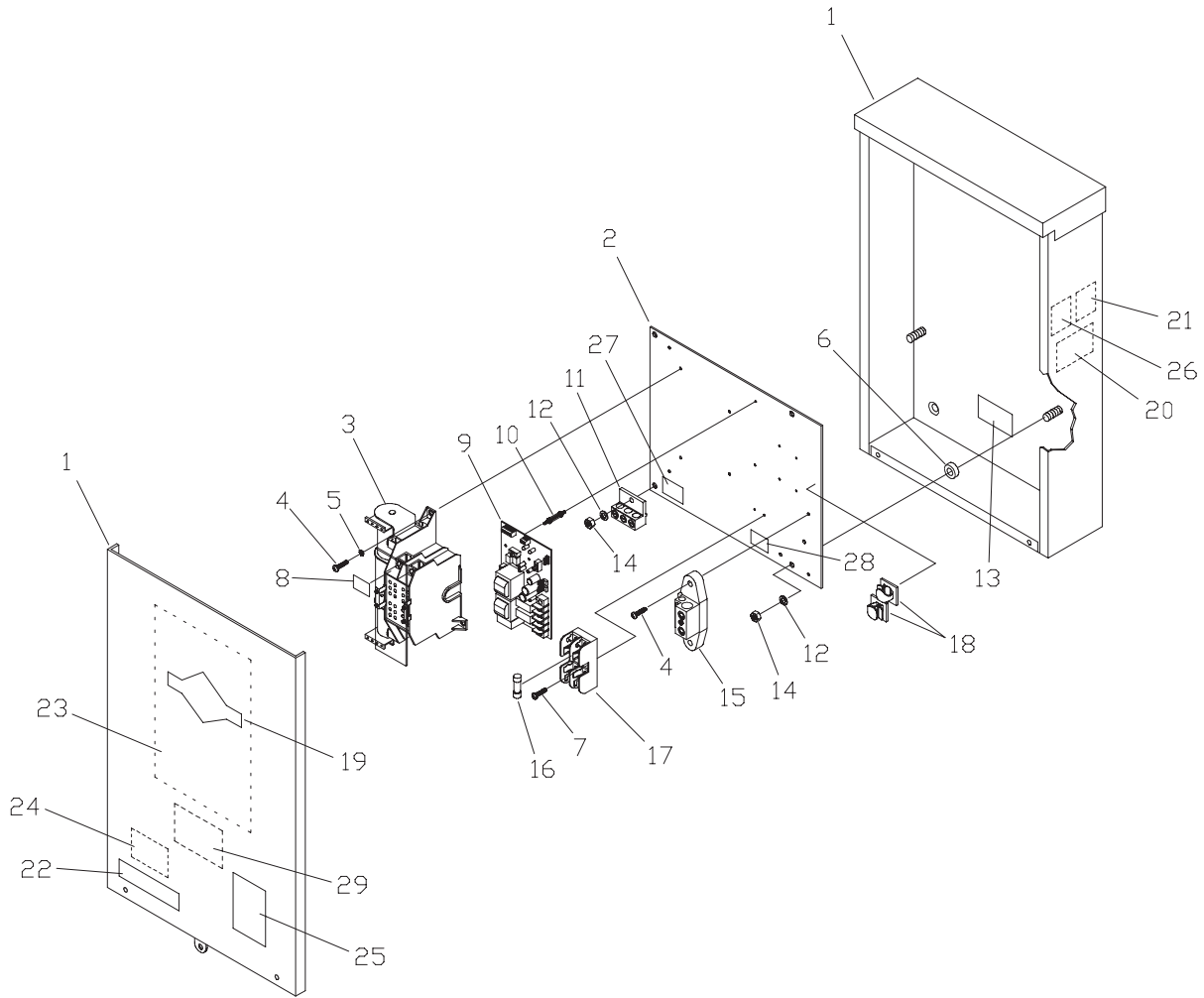
Item	Part #	Description
18	197355GS	CLIP, Latching Wire
19	198136GS	DECAL, B & S Logo
20	196355GS	DECAL, CT Warning
21	197294GS	DECAL, Contacts Rating
22	198615GS	DECAL, Intelligen Logo
23	196522GS	DECAL, 100A, ATS
24	NSP	DECAL, UL Listed, ATS
25	190992GS	DECAL, Warning Shock
26	190984GS	DECAL, Fuse
27	B4986GS	DECAL, Ground
28	197198GS	DECAL, Wire Circuits
29	192165GS	DECAL, APPVD CB

Items Not Illustrated

195728GS CURRENT TRANSFORMER

* - Items without part numbers are common fasteners and are available at local hardware stores.

Illustrated Parts List, Model 071019

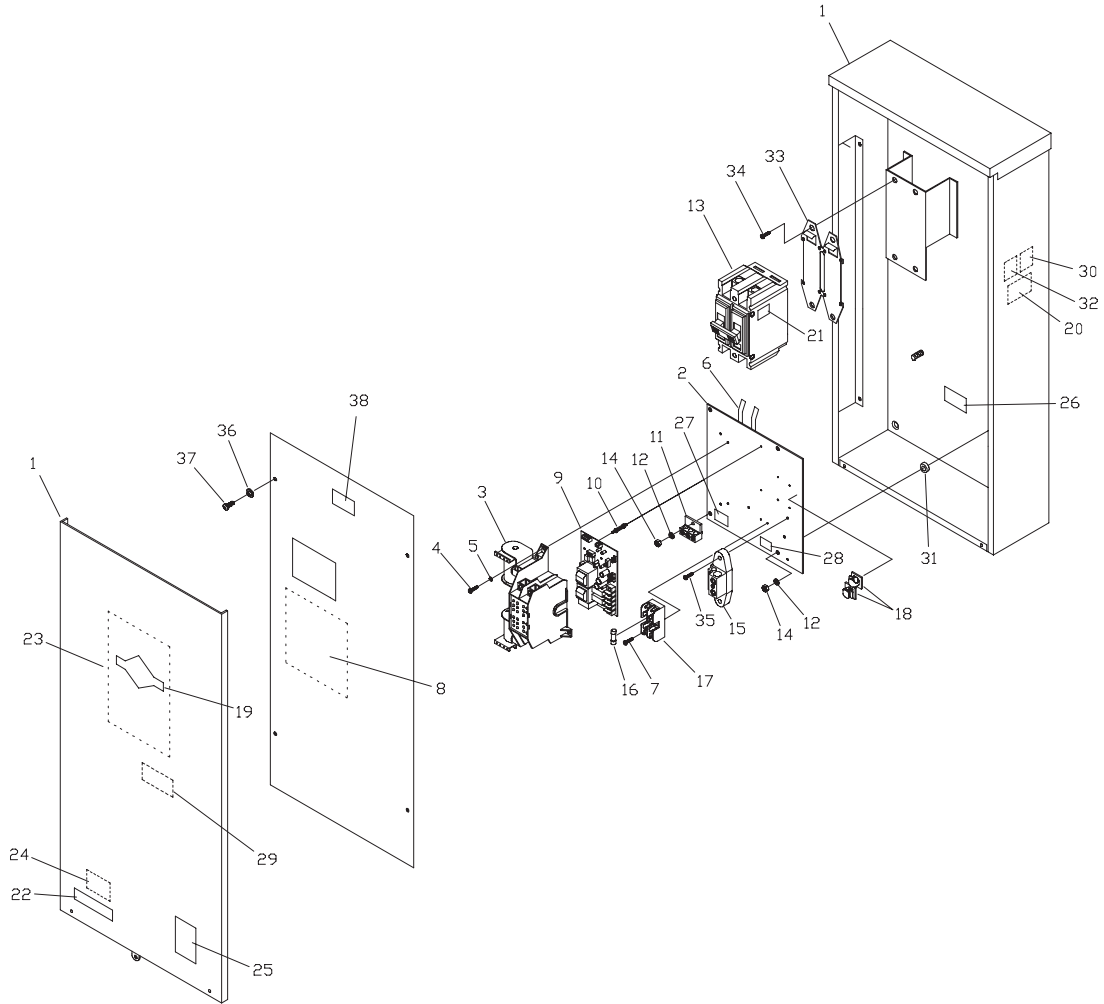


Troubleshooting

Item	Part #	Description	Item	Part #	Description
1	NSP	ENCLOSURE, 22" x 16" x 7"	18	197355GS	CLIP, Latching Wire
2	NSP	BACK PANEL	19	198136GS	DECAL, B & S Logo
3	195668GS	TRANSFER SWITCH, 200A, with Cover & Handle	20	196355GS	DECAL, CT Warning
4	*	PPHMS, #10 - 32 x 1/2"	21	197294GS	DECAL, Contacts Rating
5	*	WASHER, Ext. Tooth, #10	22	198615GS	DECAL, Intelligen Logo
6	192150GS	SPACER	23	196523GS	DECAL, 200A, ATS
7	*	PPHMS, #6- 32 x 3/8"	24	NSP	DECAL, UL Listed, ATS
8	193159GS	DECAL, Reinstall After	25	190992GS	DECAL, Warning Shock
9	197279GS	CONTROL, Board	26	197198GS	DECAL, Wire Circuits
10	201685GS	SPACER	27	B4986GS	DECAL, Ground
11	196094GS	GROUND LUG	28	192597GS	DECAL, Utility 240VAC
12	*	WASHER, Lock 1/4"	29	192166GS	DECAL, APPVD CB
13	190984GS	DECAL, Fuse			
14	*	NUT, 1/4" - 20			
15	192696GS	TERMINAL, Neutral	Items Not Illustrated		
16	B4857GS	FUSE	195728GS	CURRENT TRANSFORMER	
17	192151GS	FUSE HOLDER			

* - Items without part numbers are common fasteners and are available at local hardware stores.

Illustrated Parts List, Model 071020



Item	Part #	Description
1	NSP	ASSY, Enclosure
2	NSP	BACK PANEL
3	195667GS	TRNSFR SWTCH, 100A, w/ Hdle
4	*	PPHMS, #10 - 32 x 1/2"
5	*	WASHER, Ext. Tooth, #10
6	193689GS	WIRE, Copper
7	*	PPHMS, #6- 32 x 3/8"
8	193664GS	INSULATION, Dead Front
9	197279GS	CONTROL, Board
10	201685GS	SPACER
11	196094GS	GROUND LUG
12	*	WASHER, Lock 1/4"
13	192882GS	BREAKER Circuit, 100A
14	*	NUT, 1/4" - 20
15	192696GS	TERMINAL, Neutral
16	B4857GS	FUSE
17	192151GS	FUSE HOLDER
18	197355GS	CLIP, Latching Wire
19	198136GS	DECAL, B & S Logo
20	196355GS	DECAL, CT Warning
21	B5106GS	DECAL, Connection, Utility
22	198615GS	DECAL, Intelligen, Logo

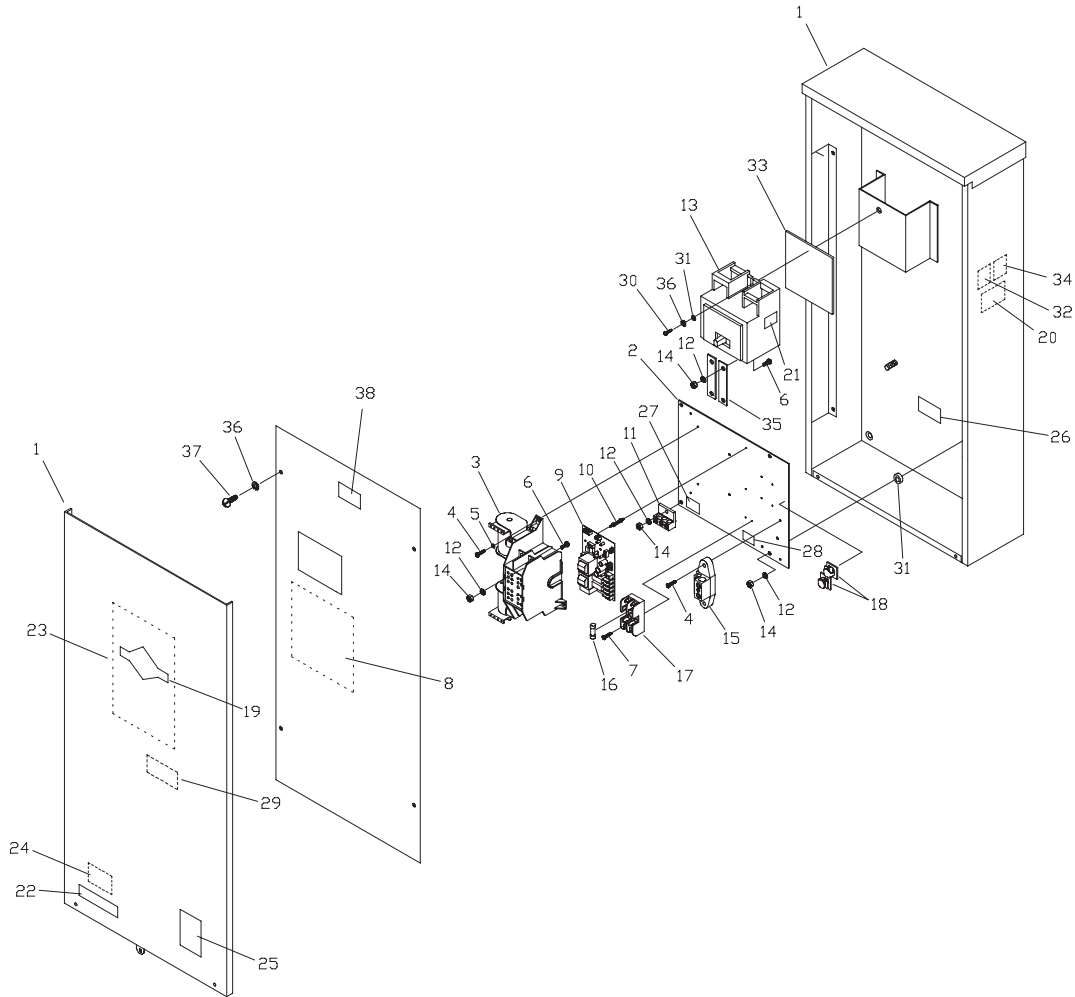
Item	Part #	Description
23	196520GS	DECAL, 100A, ATS
24	NSP)	DECAL, UL Listed
25	190992GS	DECAL, Warning Shock
26	190984GS	DECAL, Fuse
27	B4986GS	DECAL, Ground
28	192597GS	DECAL, Sensing, Utility
29	193450GS	DECAL, Breaker, Circuit
30	197294GS	DECAL, Contacts Rating
31	192150GS	SPACER
32	197198GS	DECAL, Wire Circuits
33	192770GS	BRACKET, Circuit Breaker
34	*	PPHMS, 8-32x 3/8"
35	*	PPHMS, 10-32 x 3/8"
36	*	LOCKWASHER, #10
37	*	PPHMS, #10 - 32 x 1/4"
38	193159GS	DECAL, Reinstall Barrier

Items Not Illustrated

195728GS CURRENT TRANSFORMER

* - Items without part numbers are common fasteners and are available at local hardware stores.

Illustrated Parts List, Model 071021



Troubleshooting

Item	Part #	Description
1	NSP	ASSY, Enclosure
2	NSP	BACK PANEL
3	195668GS	TRANSFER SWITCH, 200A, with Handle
4	*	PPHMS, #10 - 32 x 1/2"
5	*	WASHER, Ext. Tooth, #10
6	*	PPHMS, 1/4-20x 3/4"
7	*	PPHMS, #6- 32 x 3/8"
8	193664GS	INSULATION, Dead Front
9	197279GS	CONTROL, Board
10	201685GS	SPACER
11	196094GS	GROUND LUG
12	*	WASHER, Lock 1/4"
13	192065GS	BREAKER Circuit, 200A
14	*	NUT, 1/4" - 20
15	192696GS	TERMINAL, Neutral
16	B4857GS	FUSE
17	192151GS	FUSE HOLDER
18	197355GS	CLIP, Latching Wire
19	198136GS	DECAL, B & S Logo
20	196355GS	DECAL, CT Warning
21	B5106GS	DECAL, Connection, Utility
22	198615GS	DECAL, Intelligin Logo

Item	Part #	Description
23	196521GS	DECAL, 200A, ATS
24	NSP	DECAL, UL Listed
25	190992GS	DECAL, Warning Shock
26	190984GS	DECAL, Fuse
27	B4986GS	DECAL, Ground
28	192597GS	DECAL, Sensing, Utility
29	193450GS	DECAL, Breaker, Circuit
30	*	PPHMS, #10 - 32 x 3/4"
31	192150GS	SPACER
32	197198GS	DECAL, Wire Circuits
33	192879GS	INSULATION, Circuit Breaker
34	197294GS	DECAL, Contacts Rating
35	192881GS	BUS BAR
36	*	LOCKWASHER, #10
37	*	PPHMS, #10 - 32 x 1/4"
38	193159GS	DECAL, Reinstall Barrier

Items Not Illustrated
195728GS CURRENT TRANSFORMER

* - Items without part numbers are common fasteners and are available at local hardware stores.

BRIGGS & STRATTON POWER PRODUCTS GROUP, LLC TRANSFER SWITCH OWNER WARRANTY POLICY

Effective November 1, 2005 replaces all undated Warranties and all Warranties dated before November 1, 2005

LIMITED WARRANTY

Briggs & Stratton Power Products Group, LLC will repair or replace, free of charge, any part(s) of the equipment that is defective in material or workmanship or both. Transportation charges on product submitted for repair or replacement under this warranty must be borne by purchaser. This warranty is effective for the time periods and subject to the conditions stated below. For warranty service, find the nearest Authorized Service Dealer in our dealer locator map at BRIGGSandSTRATTON.COM.

THERE IS NO OTHER EXPRESS WARRANTY. IMPLIED WARRANTIES, INCLUDING THOSE OF MERCHANTABILITY AND FITNESS FOR A PARTICULAR PURPOSE, ARE LIMITED TO ONE YEAR FROM PURCHASE, OR TO THE EXTENT PERMITTED BY LAW. ANY AND ALL IMPLIED WARRANTIES ARE EXCLUDED. LIABILITY FOR INCIDENTAL OR CONSEQUENTIAL DAMAGES ARE EXCLUDED TO THE EXTENT EXCLUSION IS PERMITTED BY LAW. Some states or countries do not allow limitations on how long an implied warranty lasts, and some states or countries do not allow the exclusion or limitation of incidental or consequential damages, so the above limitation and exclusion may not apply to you. This warranty gives you specific legal rights and you may also have other rights which vary from state to state or country to country.

WARRANTY PERIOD

Consumer Use	3 years
Commercial Use	None

The warranty period begins on the date of purchase by the first retail consumer or commercial end user, and continues for the period of time stated in the table above. "Consumer use" means personal residential household use by a retail consumer. "Commercial use" means all other uses, including use for commercial, income producing or rental purposes. Once equipment has experienced commercial use, it shall thereafter be considered as commercial use for purposes of this warranty. Equipment used for prime power in place of utility are not applicable to this warranty.

NO WARRANTY REGISTRATION IS NECESSARY TO OBTAIN WARRANTY ON BRIGGS & STRATTON PRODUCTS. SAVE YOUR PROOF OF PURCHASE RECEIPT. IF YOU DO NOT PROVIDE PROOF OF THE INITIAL PURCHASE DATE AT THE TIME WARRANTY SERVICE IS REQUESTED, THE MANUFACTURING DATE OF THE PRODUCT WILL BE USED TO DETERMINE THE WARRANTY PERIOD.

ABOUT YOUR WARRANTY

We welcome warranty repair and apologize to you for being inconvenienced. Any Authorized Service Dealer may perform warranty repairs. Most warranty repairs are handled routinely, but sometimes requests for warranty service may not be appropriate. For example, warranty service would not apply if equipment damage occurred because of misuse, lack of routine maintenance, shipping, handling, warehousing or improper installation. Similarly, the warranty is void if the manufacturing date or the serial number on the equipment has been removed or the equipment has been altered or modified. During the warranty period, the Authorized Service Dealer, at its option, will repair or replace any part that, upon examination, is found to be defective under normal use and service. This warranty will not cover the following repairs and equipment:

- **Normal Wear:** Outdoor Power Equipment, like all mechanical devices, needs periodic parts and service to perform well. This warranty does not cover repair when normal use has exhausted the life of a part or the equipment.
- **Installation and Maintenance:** This warranty does not apply to equipment or parts that have been subjected to improper or unauthorized installation or alteration and modification, misuse, negligence, accident, overloading, improper maintenance, repair or storage so as, in our judgment, to adversely affect its performance and reliability. This warranty also does not cover normal maintenance such as adjustments, cleaning and fuse replacement.
- **Other Exclusions:** This warranty excludes wear items or damage or malfunctions resulting from accidents, abuse, modifications, alterations, or improper servicing. Accessory parts are excluded from the product warranty. This warranty excludes failures due to acts of God and other force majeure events beyond the manufacturers control. Also excluded is used, reconditioned, and demonstration equipment. 198180E, Rev. C, 12/14/2006

BRIGGS & STRATTON POWER PRODUCTS GROUP, LLC
JEFFERSON, WI, USA

Reserved



Manual de Instalación y del Operario

Preguntas? La ayuda es justa
un momento lejos!

Llamada: **Línea Directa de
Interrupción de Transferencia**

1-800-743-4115 M-F 8-5 CT

Web: **BRIGGSandSTRATTON.COM**



100 AMP/200 AMP
Automatic Transfer Switch
con AC Power Control Module™



Gracias por comprar este conector automático Briggs & Stratton Power Products. Este producto SÓLO es adecuado para utilización con grupos electrógenos domésticos de reserva de Briggs & Stratton. Este producto es un sistema doméstico de reserva opcional y proporciona una fuente alternativa de energía eléctrica con capacidad para alimentar cargas tales como calderas de gas y sistemas de refrigeración y de telecomunicaciones, que cuando dejan de funcionar a causa de una interrupción de la alimentación eléctrica de la red pueden producir incomodidades o problemas. Este producto no pertenece a la categoría de reserva de emergencia según lo definido por la norma NFPA 70 (NEC).

Este manual contiene información de seguridad sobre los riesgos asociados con los conectores y sobre cómo evitarlos. Briggs & Stratton ha realizado el máximo esfuerzo para que la instalación resulte segura, sencilla y económica. Cada instalación es única, lo que hace imposible conocer y recomendar todos los procedimientos y métodos posibles para efectuarla. No conocemos todos los riesgos y/o resultados posibles de cada método o procedimiento. Guarde estas instrucciones para futuras consultas.

Antes de utilizar el conector, es necesario instalarlo. Consulte en la sección *Instalación* de este manual las instrucciones o procedimientos de instalación. Los conectores sólo deben ser instalados por electricistas cualificados. Las instalaciones deben cumplir estrictamente la totalidad de la normativa vigente.

Dónde puede encontrarnos

Nunca tendrá que buscar mucho para poder obtener soporte y servicio técnico para su conector Briggs & Stratton. Consulte las páginas amarillas. Hay más de 30.000 distribuidores de servicio autorizados en todo el mundo que le ofrecerán un servicio de calidad. También puede dirigirse al departamento de servicio al cliente de Briggs & Stratton llamando al **(800) 743-4115** o por Internet, en el sitio web BRIGGSandSTRATTON.COM.

Conector Automático

Número de Modelo

--	--	--	--	--	--	--	--

Revisión

--	--

Número de Serie

--	--	--	--	--	--	--	--	--	--	--	--

Fecha de compra

--	--	--	--	--	--

Briggs & Stratton Power Products Group, LLC.
900 North Parkway
Jefferson, WI 53549

Copyright © 2006 Briggs & Stratton Power Products Group, LLC.
Reservados todos los derechos. Queda prohibida la reproducción o transmisión total o parcial de este material, sea cual sea la forma y el medio empleados para ello, sin el permiso previo y por escrito de Briggs & Stratton Power Products Group, LLC.

TABLA DE CONTENIDO

Instrucciones importantes de seguridad	2
Orientación para el Propietario	3
Responsabilidades del Instalador	3
Descripción del Equipo	3
Instalacion	4
Desempaque	4
Pautas de Montaje	4
Interconexiones de Cableado de Energía	6
Cableado de Control de Supervisión	7
Configuración del Sistema	7
Mandos	8
Sistema Funcionamiento	8
El sistema estará entonces en el modo de funcionamiento automático. . . .	8
Mantenimiento	9
Especificaciones	9
Reparacion de Averias	10
Garantía	11

Seguridad

Instalación

Controles

Utilización

Mantenimiento

Problemas


Garantía

Conserve estas instrucciones

Instrucciones importantes de seguridad



Éste es el símbolo de alerta de seguridad. Sirve para advertir al usuario de un posible riesgo para su integridad física. Siga todos los mensajes de seguridad que figuren después de este símbolo para evitar lesiones o incluso la muerte.

El símbolo de alerta de seguridad () es usado con una palabra (PELIGRO, ADVERTENCIA, PRECAUCIÓN), un mensaje por escrito o una ilustración, para alertarlo acerca de cualquier situación de peligro que pueda existir. **PELIGRO** indica un riesgo el cual, si no se evita, *causará* la muerte o una herida grave. **ADVERTENCIA** indica un riesgo el cual, si no se evita, *puede* causar la muerte o una herida grave. **PRECAUCIÓN** indica un riesgo, el cual, si no se evita, *puede* causar heridas menores o moderadas. **PRECAUCIÓN**, cuando se usa **sin** el símbolo de alerta, indica una situación que podría resultar en el daño del equipo. Siga los mensajes de seguridad para evitar o reducir los riesgos de heridas e inclusive la muerte.

El fabricante no puede prever todas las posibles circunstancias que pueden implicar riesgos. Por lo tanto, las advertencias que aparecen en este manual y las etiquetas y calcomanías adheridas a la unidad no incluyen todas las posibilidades. Si aplica un procedimiento, método de trabajo o técnica de operación no recomendada específicamente por el fabricante, debe estar seguro de que se trata de una práctica segura para usted y para otras personas. También debe asegurarse de que el procedimiento, método de trabajo o técnica de operación que elija, no haga que el conmutador de transferencia se torne inseguro.



ADVERTENCIA

Únicamente los electricistas capacitados pueden intentar instalar este sistema. Dicha instalación debe cumplir estrictamente con los códigos, las regulaciones y las normas correspondientes.



ADVERTENCIA

Los cables de baja tensión no se pueden instalar en el mismo conducto que los cables de suministro de energía.

- Si no se respeta esta indicación pueden producirse lesiones, daños y/o fallos de funcionamiento del equipo.



ADVERTENCIA



Si no hace tierra apropiadamente con un conmutador de transferencia, puede hacer que ocurra un electrocutamiento.

- No toque los alambres pelados o receptáculos.
- No use un conmutador de transferencia con cables eléctricos que estén malgastados, rotos, pelados o dañados de cualquier forma.
- No maneje el cables eléctricos mientras esté parado en agua, descalzo o cuando las manos y los pies estén mojados.
- Si fuera necesario realizar trabajos en cercanías de la unidad mientras está en funcionamiento, párese sobre una superficie seca y aislada para reducir los riesgos de una descarga.
- No permita que personas descalificadas o niños operen o sirvan al conmutador de transferencia.
- En caso de que se produzca un accidente causado por una descarga eléctrica, cierre inmediatamente la fuente de energía eléctrica y contacta administración local. Evite el contacto directo con la víctima.



ADVERTENCIA



El conector contiene alta tensión que puede provocar lesiones o la muerte.

- A pesar del diseño seguro del conmutador de transferencia, si se opera este equipo en forma imprudente, si no se cumple con el mantenimiento o si se actúa con descuido, se pueden producir lesiones o la muerte.

PRECAUCIÓN

El tratamiento inadecuado del conmutador de transferencia puede dañarlo y acortar su vida productiva.

- Use el conmutador de transferencia solamente con la finalidad para el cual fue diseñado.
- Si usted tiene alguna pregunta acerca de las finalidades de uso del generador, pregúntele a su concesionario o contacte a Briggs and Stratton Power Products.
- No exponga al conmutador de transferencia a una humedad excesiva, polvo, suciedad o vapores corrosivos.
- Permanezca siempre alerta cuando trabaje con este equipo. Nunca trabaje con este equipo si se siente cansado física o mentalmente.
- Si se calientan excesivamente los dispositivos conectados, apáguelos y abra sus interruptores o quite sus fusibles.

Introducción

Su conector BSPP se suministra con este "Manual de Instalación y del Operario" combinado. Se trata de un documento importante que debe ser conservado por el propietario después de haber terminado la instalación.

Se han tomado todos los recaudos posibles para asegurar que la información incluida en este manual sea correcta y esté actualizada. Sin embargo, los fabricantes se reservan el derecho de cambiar, alterar o mejorar el sistema de cualquier otra manera y en cualquier momento, sin previo aviso.

Para el Propietario Doméstico

Para que pueda tomar decisiones fundamentadas y lograr una comunicación efectiva con el o los contratistas de instalación,

Lea y comprenda la sección de este manual denominada Orientación para el Propietario ANTES de contratar o iniciar la instalación de su conmutador de transferencia.

Para coordinar y organizar una instalación adecuada, consulte al comercio en el cual adquirió su conmutador de transferencia Briggs & Stratton Power Products, a su agente de ventas o a la compañía proveedora de electricidad.

La garantía del conmutador de transferencia se ANULA si la instalación del sistema no está a cargo de profesionales especializados en electricidad certificados.

Para el Agente de Ventas/Contratista que Realiza la instalación

Consulte los aspectos de la instalación con un inspector.

Si necesita más información en conector, llame al 1-800-743-4115, entre las 8:00 AM y las 5:00 PM hora del centro.

Orientación para el Propietario

Las ilustraciones se aplican a circunstancias típicas y están destinadas a que usted se familiarice con las opciones de instalación disponibles con su conmutador de transferencia.

Los códigos locales, la apariencia y las distancias son los factores fundamentales a tener en cuenta cuando se realiza la negociación con el profesional que tendrá a su cargo la instalación. Recuerde que a medida que la distancia del servicio de electricidad existente aumenta, se debe tener en cuenta una compensación igual en los materiales de cableado. Esto es necesario para cumplir con los códigos locales y solucionar caídas en la tensión eléctrica.

Los factores antes mencionados tendrán un efecto directo sobre el precio general de la instalación del conmutador de transferencia.

NOTA: El instalador debe verificar los códigos locales Y obtener los permisos correspondientes antes de instalar el sistema.

- Lea y cumpla las instrucciones incluidas en el manual.
- Siga un programa regular para cuidar y utilizar el conmutador de transferencia, según se especifica en el manual.

Responsabilidades del Instalador

- Lea y observe las reglas de seguridad que se encuentran en el manual.
- Lea y siga las instrucciones que se encuentran en este manual.
- Consulte la normativa vigente en caso de dudas sobre la instalación.
- Asegúrese de que las cargas seleccionadas no sobrecargan el generador.

Si necesita más información sobre el conector, llame al (800) 743-743-4115, de 08:00 a 17:00 CT.

Descripción del Equipo

Estos conectadores pertenecen a una nueva generación destinada a transferir toda la carga de instalaciones residenciales normales cuando se utilizan con los contactos de supervisión previstos. La carga se conecta a la red pública (normal) o a la alimentación doméstica de reserva (generador). El conector monitoriza las tensiones de la red pública y del generador y conecta automáticamente la carga a la fuente de alimentación apropiada.

Los componentes principales del conector son un utilidad desconecta cortacircuitos bipolar (sólo modelos 071020 y 071021), un interruptor bipolar de 2 posiciones de contacto, una tarjeta de circuito impreso del módulo de control, terminales con fusibles de detección de tensión de la red pública y cableado de interconexión. La tarjeta de control también tiene dos entradas para transformadores de corriente que detectan la corriente del generador.

El conector es accionado por un solenoide alimentado desde las entradas de la red pública o del generador y tiene interruptores de enclavamiento mecánicos y eléctricos, adecuados para eliminar la posibilidad de conectar la red pública a la salida del generador. Sus valores nominales son suficientes para conectar toda potencia de la red pública a la residencia. Para la función de transferencia hay una palanca de cancelación manual.

La tarjeta de circuito impreso del módulo de control tiene circuitos activos que detectan las tensiones de la red pública y del generador. Genera una señal para el arranque del generador, el conector, la retransferencia cuando se restablece la tensión en la red pública y los períodos de enfriamiento del generador. La tarjeta de control contiene también luces rojas y verdes que indican las fuentes de alimentación disponibles y dos contactos accionados por relé que proporcionan el control de supervisión de cargas críticas externas.

Instalación

Desempaque

Inspección al Momento de la Entrega

Luego de retirar la caja, inspeccione cuidadosamente los componentes del conmutador de transferencia de energía automático para detectar cualquier daño que pudiera haber ocurrido durante el traslado.

IMPORTANTE: Si en el momento de la entrega se detecta alguna pérdida o daño, solicite a la persona o personas encargadas de la entrega que dejen debida constancia en la nota de entrega y que firmen debajo de la nota del consignador donde se informa acerca de la pérdida o daño. Si la pérdida o el daño se detecta después de la entrega, separe los materiales dañados y póngase en contacto con el transportista para llevar a cabo los procedimientos de reclamo. Las piezas perdidas o dañadas no están garantizadas.

Contenido de la Caja

- Conmutador de transferencia de energía automático
- Dos transformadores de corriente
- Manual de instalación y operario

Pautas de Montaje

El conector automático está encerrado en una caja tipo 3R NEMA, que es adecuada para uso en interiores y a la intemperie. Las directrices para el montaje de conector automático incluyen:

- Instale el conmutador sobre una estructura de soporte firme y resistente.
- El interruptor se debe instalar con conexiones mínimas de conduit de fo de hardware de NEMA 3R.
- Para evitar distorsiones en el conmutador, nivele la unidad si es necesario. Puede hacerlo colocando arandelas entre el compartimiento del conmutador y la superficie de montaje.
- Nunca instale el conmutador en un lugar en el cual pueda producirse el goteo de alguna sustancia corrosiva en el compartimiento.
- Proteja permanentemente al conmutador contra humedad excesiva, polvo, suciedad, pelusas, arenilla para construcción y vapores corrosivos.

La Figura 1 ilustra la instalación habitual del conector automático, modelos 071018 y 071019. En la Figura 2, se muestra una instalación alternativa del conector automático. Lo mejor es montarlo cerca del contador de la compañía eléctrica en el interior o en el exterior. Antes de iniciar el proceso de instalación del sistema, analice los cambios y sugerencias de diagramación con el propietario de la unidad.

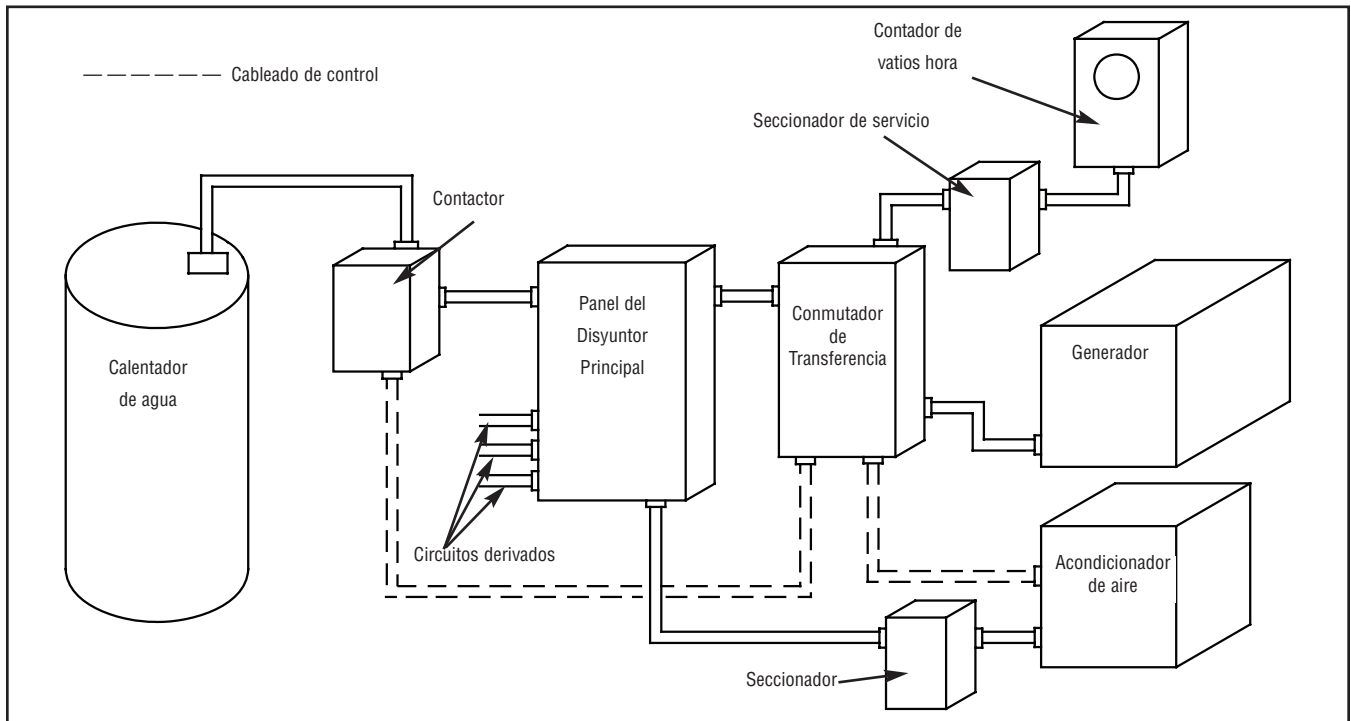
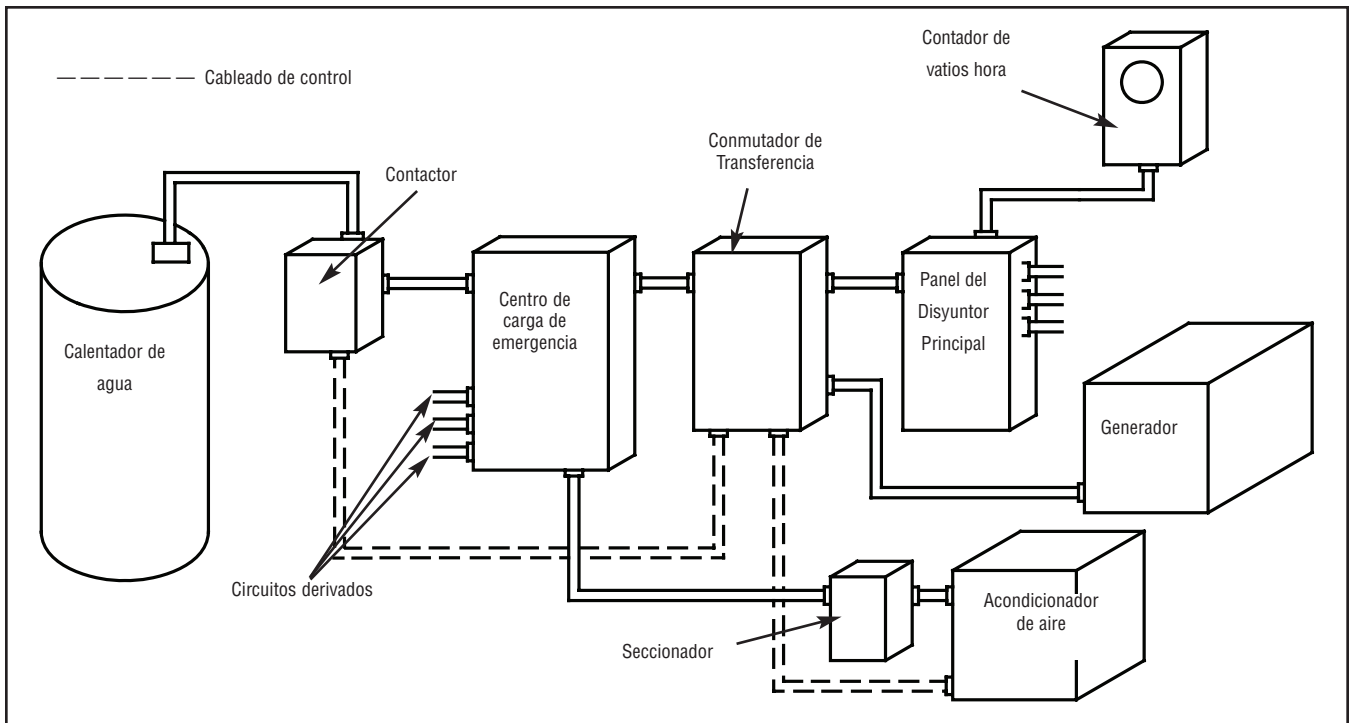


Figura 1 — Montaje Habitual de un Conector para los Modelos 071018 y 071019



Instalación

Figura 2 — Montaje de un Conector Alternativo

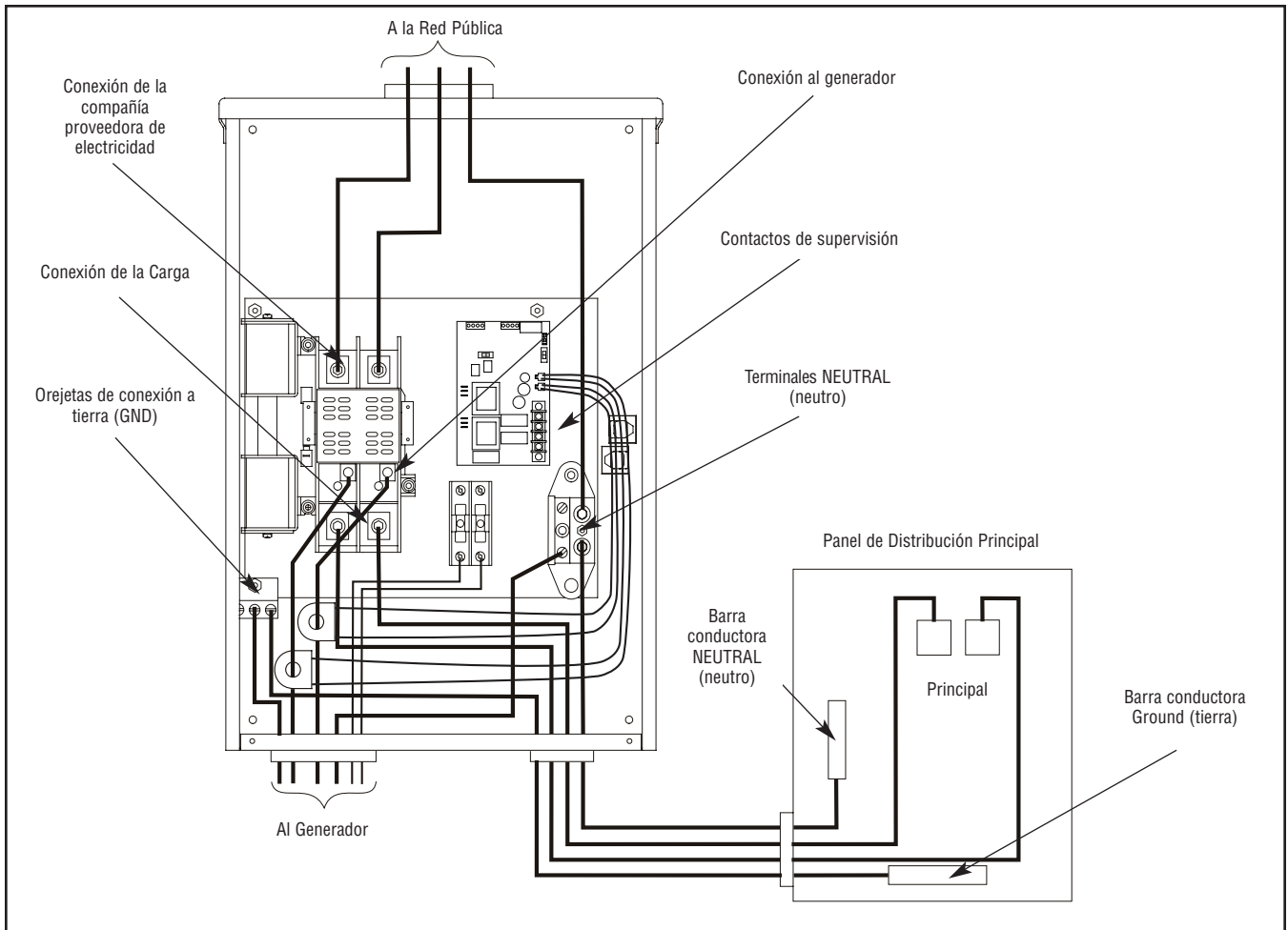


Figura 3 — Schéma d'Installation Typique du Commutateur de Transfert Modele 071018 o 071019

Español

ES

Interconexiones de Cableado de Energía

Todo el cableado debe tener el tamaño adecuado y debe estar correctamente soportado. También debe estar protegido mediante un conducto.

Realice las conexiones siguientes entre el conector, el panel principal de distribución, la red pública y el generador (Figura 3 o 4).



ADVERTENCIA



Los cables de baja tensión no se pueden instalar en el mismo conducto que los cables de suministro de energía.

- Si no se respeta esta indicación pueden producirse lesiones, daños y/o fallos de funcionamiento del equipo.

1. Asegúrese de que la tensión de la red pública no esté aplicada. Conecte los conductores de alimentación a los terminales del conector, con la marca "UTILITY CONNECTION" (conexión a la red pública).

2. Conecte el neutro de la red pública al terminal del conector con la marca "NEUTRAL" (neutro).
3. Conecte los terminales de alimentación de la red pública a los terminales del conector, con la marca "LOAD CONNECTION" (conexión de la carga).
4. Conecte el neutro del panel principal de distribución al terminal del conector con la marca "NEUTRAL" (neutro).
5. Conecte el conductor de conexión a tierra del panel del disyuntor principal al terminal "GND" (tierra) del conector.

NOTA: Compruebe que el conductor del electrodo de conexión a tierra está conectado conforme a la normativa vigente.

6. Conecte los conductores de alimentación del panel de control del generador a los terminales del conector con la marca "GENERATOR CONNECTION" (conexión del generador). Los conductores se deben pasar por el orificio del transformador de corriente antes de realizar la conexión.

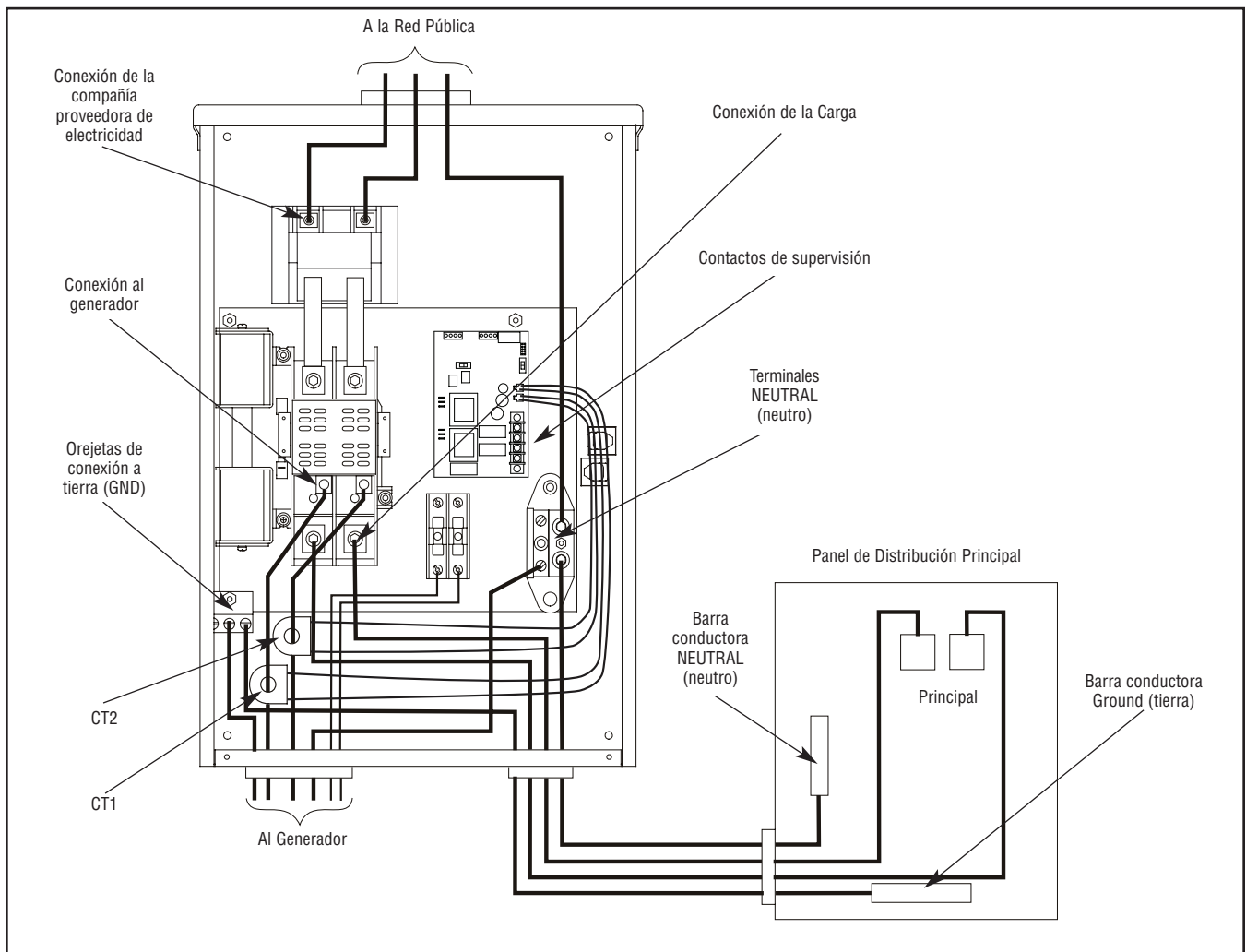


Figura 4 — Schéma d'Installation Typique du Commutateur de Transfert Modele 071020 o 071021

7. Conecte los cables secundarios del transformador de corriente a los terminales "CT1" y "CT2" del módulo de control.
8. Conecte el conductor neutro del panel de control del generador al terminal del conector con la marca "NEUTRAL" (neutro).
9. Conecte el conductor de tierra del panel de control al terminal del conector con la marca "GND" (tierra).

NOTA: Compruebe que el conductor de conexión a tierra del equipo generador está conectado conforme a la normativa vigente.

10. Conecte los terminales "UTILITY 240 VAC" (240 VCA de servicio) del generador a los terminales "UTILITY 240 VAC" del conector. Utilice cables 14 AWG, como mínimo.
11. Apriete de todas las conexiones de los cables y elementos de fijación al par adecuado. Consulte los valores de par correctos en el interior de la caja del conector.

Cableado de Control de Supervisión

1. La regleta de terminales del módulo de control del conector dispone de cuatro conexiones para uso del cliente. Hay dos conjuntos de contactos "Normalmente Cerrados" que se activarán cuando sea necesario utilizar la electricidad del generador. Se pueden utilizar para el control de supervisión de grandes cargas conectadas al generador. Ejemplo: acondicionador de aire, calentador de agua, etc. Las cargas podrán funcionar siempre que la potencia del generador sea suficiente.

NOTA: Hay dos conductos para cables que permiten mantener separadas las cargas de supervisión.

2. Los terminales "A-A" del módulo de control se utilizan para controlar el conector del acondicionador de aire. Los contactos se conectan en serie con el circuito de control del conector del aire acondicionado (Figura 5).

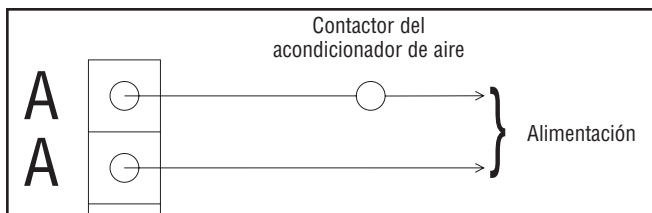


Figura 5 — Terminales "A-A"

3. Los terminales "B-B" del módulo de control permiten que el instalador conecte un conector para controlar una carga importante. Ejemplo: calentador eléctricos de agua. Los contactos se conectan en serie con el circuito de control del conector (Figura 6).

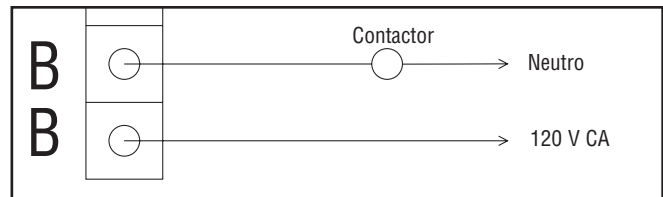


Figura 6— Terminales "B-B"

4. Apriete de todas las conexiones de los cables y elementos de fijación al par adecuado. Consulte los valores de par correctos en el interior de la caja del conector.

Configuración del Sistema

Deberá llevar a cabo las siguientes operaciones en el módulo de control antes de poner el sistema en funcionamiento:

- Si el generador está instalado en una zona normalmente expuesta a temperaturas inferiores a 4 °C (40 °F), seleccione un tiempo de calentamiento de 50 segundos moviendo el puente instalado en JP2 (Figura 7) de la posición '20' a la posición '50'.
- Ponga el conmutador de 2 posiciones (Figura 7) en la posición adecuada para su sistema, 'NG' o 'LP'.
- Ponga el conmutador de 3 posiciones (Figura 7) de forma que coincida con el valor nominal de kW del generador instalado.

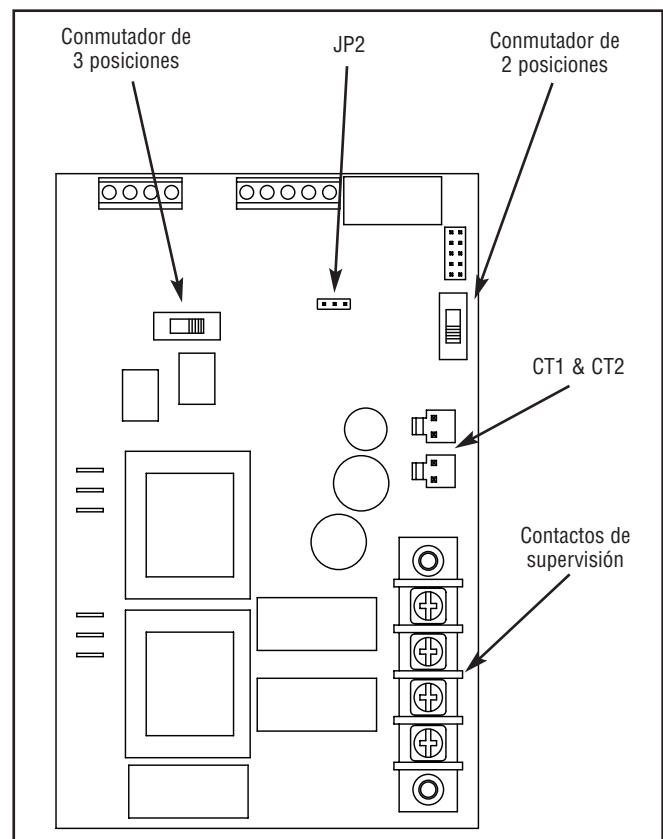


Figura 7 — Módulo de control

Mandos

Aparte de la palanca de cancelación manual, el conector no tiene ningún otro mando, ya que es automático. La cancelación manual es para uso exclusivo de profesionales cualificados.

Controles

Utilización

Sistema Funcionamiento

Para seleccionar el funcionamiento automático del conector, haga lo siguiente:

- 1A. En los modelos 071018 y 071019, ponga el seccionador que envía tensión de la red pública al conector en la posición **"On"** (cerrado). El seccionador puede estar situado en el panel del disyuntor principal.
- 1B. En los modelos 071020 y 071021, ponga el interruptor de la red pública del conector en la posición **"On"** (cerrado).
- 2.. Ponga el disyuntor principal del generador en la posición **"On"** (conectado).
3. Instale el fusible de 15 A en el panel de control del generador.
- 4A. Si el generador se equipa con un conmutador ON/OFF del sistema, conjunto el conmutador en la posición **"On"**.
- 4B. Si el generador se equipa con un interruptor AUTO/OFF/MANUAL (automático/desconectado/manual), conjunto el interruptor en la posición **"AUTO"**.

El sistema estará entonces en el modo de funcionamiento automático.

Cuando el generador suministra energía al conector, el módulo de control supervisa permanentemente la potencia del generador. Si se intenta activar el acondicionador de aire y de que la potencia disponible del generador es suficiente, el controlador cierra los contactos "A-A" de conexión al contactor del acondicionador de aire. Los contactos "B-B" se abren antes del cierre de los contactos "A-A". Si las cargas son excesivas para el generador, los contactos A-A y/o B-B se abren. Cuando no es necesario utilizar el aire acondicionado, el contacto A-A se abre. Si la potencia disponible es suficiente, el contacto B-B se cierra.

Prueba del conector automático

Ponga el seccionador de servicio que alimenta el contactor del conector en la posición **"Off"** (abierto). Se realizará la secuencia automática correspondiente. Para volver a la alimentación desde la red pública, ponga el seccionador de servicio en la posición **"On"** (conectado).

Secuencia Automática

Fallo de la Red Pública

El sensor de tensión de la red pública detecta cuándo esta tensión está por debajo del 70% de la nominal. Tras un retardo de 6 segundos, se inicia la secuencia de arranque del motor.

Calentamiento del Motor

Retardo de tiempo para permitir el calentamiento del motor antes de la transferencia fijado en 20 segundos o 50 segundos si se ha retirado el puente de la tarjeta de control.

Transferencia

La transferencia de la alimentación de la red pública a la del generador se produce cuando la tensión supera los niveles especificados. El tiempo mínimo de funcionamiento del motor después de la transferencia es de 5 minutos.

Recuperación de la Red Pública

El nivel de recuperación de la tensión es el 80% de la tensión nominal.

Retransferencia

La retransferencia de la alimentación del generador a la de la red pública se produce aproximadamente 10 segundos después de que la tensión de la red pública supera el nivel de recuperación y de que transcurre el tiempo mínimo de funcionamiento.

Enfriamiento del Motor

El motor funcionará durante 60 segundos después de producirse la retransferencia.

Si Necesita Llamar a Fábrica

Antes de ponerse en contacto con Briggs and Stratton Power Products en relación con el servicio o reparación de este conector, tome nota del número de modelo y del número de serie que figuran en la etiqueta adhesiva de datos de la unidad situada en el interior de la caja.

A contacto Briggs and Stratton Power Products, llame al (800) 743-4115, entre las 8:00 AM y las 5:00 PM hora del centro.

Mantenimiento

En condiciones normales de uso, el conector no requiere mantenimiento. No obstante, se recomienda examinar el conector y realizar comprobaciones de forma periódica. Principalmente, el mantenimiento consiste en la limpieza del conector.

Lleve a cabo un examen visual al menos una vez al mes. La vía de acceso al conector debe permanecer libre de obstáculos. Deje un espacio mínimo de 92 cm (3 pies) alrededor del conector. Compruebe la presencia de polvo acumulado, humedad o corrosión sobre la caja o a su

alrededor, piezas flojas, grietas o pérdida de color del aislamiento y componentes dañados o descoloridos.

Ponga en funcionamiento el conector al menos una vez cada tres meses siguiendo las instrucciones de la sección “Prueba del conector automático”, a menos que el sistema generador doméstico se haya activado automáticamente como resultado de un corte de suministro eléctrico. Deje funcionar el generador durante un mínimo de 30 minutos.

Póngase en contacto con un electricista cualificado para examinar y limpiar el interior del conector al menos una vez al año.

Especificaciones

UL® 1008 Listó Conector

Modelo 071018

Carga máxima/circuito	
desde el centro de carga	100 A
Tensión nominal c.a.	250 V
Polos	2
Frecuencia	50/60 Hz
Valor nominal de la corriente	
conexión a tierra	22,000 Amperios Eficaces, Simétrica
Valor nominal de los	
contactos de supervisión A-A	24 V CA
contactos de supervisión B-B	1A, 125 V CA, régimen de piloto
Peso	21 lbs.

Modelo 071019

Carga máxima/circuito	
desde el centro de carga	200 A
Tensión nominal c.a.	250 V
Polos	2
Frecuencia	50/60 Hz
Valor nominal de la corriente	
conexión a tierra	25,000 Amperios Eficaces, Simétrica
Valor nominal de los	
contactos de supervisión A-A	24 V CA
contactos de supervisión B-B	1A, 125 V CA, régimen de piloto
Peso	34 lbs.

Modelo 071020

Carga máxima/circuito	
desde el centro de carga	100 A
Tensión nominal c.a.	250 V
Polos	2
Frecuencia	50/60 Hz
Valor nominal de la corriente	
conexión a tierra	22,000 Amperios Eficaces, Simétrica
Valor nominal de los	
contactos de supervisión A-A	24 V CA
contactos de supervisión B-B	1A, 125 V CA, régimen de piloto
Peso	32 lbs.

Modelo 071021

Carga máxima/circuito	
desde el centro de carga	200 A
Tensión nominal c.a.	250 V
Polos	2
Frecuencia	50/60 Hz
Valor nominal de la corriente	
conexión a tierra	25,000 Amperios Eficaces, Simétrica
Valor nominal de los	
contactos de supervisión A-A	24 V CA
contactos de supervisión B-B	1A, 125 V CA, régimen de piloto
Peso	44 lbs.

Reparacion de Averias

Problema	Causa	Accion
El conector automático no transfiere la conexión al generador	<ol style="list-style-type: none"> 1. El disyuntor del generador está abierto. 2. La tensión del generador no es aceptable. 	<ol style="list-style-type: none"> 1. Rearme el disyuntor del generador. 2. Consulte el manual del generador.
El conector automático no transfiere la conexión a la red pública	<ol style="list-style-type: none"> 1. El disyuntor de desconexión de servicio está abierto. 2. La tensión de la red pública no es aceptable. 	<ol style="list-style-type: none"> 1. Rearme el disyuntor de desconexión de servicio. 2. Espere a que se restablezca la normalidad en la tensión de la red pública.
El generador sigue funcionando después de que el conector transfiera la conexión a la red pública	El período de enfriamiento del motor.	El motor debería detenerse después de 1 minutos.
Las cargas supervisadas (acondicionador de aire, etc.) no funcionan cuando el generador suministra energía	<ol style="list-style-type: none"> 1. Los contactos A-A o B-B no funcionan correctamente. 2. La carga del generador es excesiva. 3. El transformador de corriente no conectado. 4. El transformador de corriente está averiado. 	<ol style="list-style-type: none"> 1. Compruebe si los contactos A-A y B-B funcionan correctamente y verifique el cableado de control de la carga externa. 2. Reduzca la carga del generador. 3. Conecte los conectores CT a la tarjeta de control. 4. Póngase en contacto con su centro de servicio técnico de Briggs & Stratton Power Products.
El generador sigue funcionando cuando se restablece la alimentación eléctrica de la red	<ol style="list-style-type: none"> 1. No ha transcurrido el tiempo de funcionamiento mínimo del motor. 2. El o los fusibles del conector son defectuosos. 	<ol style="list-style-type: none"> 1. Espere cinco minutos a que el conector vuelva a utilizar la tensión de la red pública. 2. Compruebe los fusibles y sustitúyalos si fuera necesario.

POLÍTICA DE GARANTÍA PARA EL PROPIETARIO DEL CONECTADOR DE BRIGGS & STRATTON POWER PRODUCTS GROUP, LLC

Fecha de entrada en vigor: 1 de Noviembre de 2005. Sustituye a todas las garantías sin fecha y a las de fecha anterior al 1 de Noviembre de 2005

GARANTÍA LIMITADA

Briggs & Stratton Power Products Group, LLC reparará o sustituirá sin cargo alguno cualquier componente del equipo que presente defectos de materiales y/o mano de obra. Los gastos de transporte de las producto enviadas para reparar o sustituir conforme a los términos de esta garantía correrán a cargo del comprador. El periodo de vigencia y las condiciones de esta garantía son los que se estipulan a continuación. Para obtener servicio en garantía, localice el distribuidor de servicio autorizado más próximo en nuestro mapa de distribuidores, en www.BRIGGSandSTRATTON.COM.

NO EXISTE NINGUNA OTRA GARANTÍA EXPLÍCITA. LAS GARANTÍAS IMPLÍCITAS, INCLUIDAS LAS DE COMERCIABILIDAD O IDONEIDAD PARA UN FIN CONCRETO. SE LIMITAN A UN AÑO DESDE LA FECHA DE COMPRA O AL LÍMITE DE TIEMPO PERMITIDO POR LA LEY. QUEDAN EXCLUIDAS TODAS LAS GARANTÍAS IMPLÍCITAS QUEDA EXCLUIDA LA RESPONSABILIDAD POR DAÑOS SECUNDARIOS Y DERIVADOS HASTA EL LÍMITE PERMITIDO POR LA LEY. Algunos países o estados no permiten limitar la duración de una garantía implícita ni excluir o limitar los daños secundarios y derivados. Por tanto, es posible que las limitaciones y exclusiones mencionadas no sean aplicables en su caso. Esta garantía le otorga determinados derechos legales y es posible que tenga otros derechos que pueden variar de un país o estado a otro.

PERÍODO DE GARANTÍA

Uso del consumidor	3 Años
Uso comercial	ninguno

El período de garantía comienza en la fecha de compra del primer consumidor o usuario comercial final y se prolonga durante el tiempo especificado en la siguiente tabla. "Uso del consumidor" significa uso doméstico personal por parte de un consumidor final. "Uso comercial" significa cualquier otro uso, incluidos los usos con fines comerciales, de generación de ingresos o alquiler. Una vez que el equipo se haya usado con fines comerciales, se considerará como equipo de uso comercial a efectos de esta garantía. Los equipos utilizados para suministrar energía en sustitución de un servicio público no pueden acogerse a esta garantía.

NO ES NECESARIO REGISTRAR LA GARANTÍA PARA OBTENER SERVICIO DE BRIGGS & STRATTON PRODUCTS. GUARDE SU RECIBO DE COMPRA. SI NO APORTA LA PRUEBA DE LA FECHA DE COMPRA INICIAL, SE UTILIZARÁ LA FECHA DE FABRICACIÓN DEL PRODUCTO PARA DETERMINAR EL PERÍODO DE GARANTÍA.

ACERCA DE LA EQUIPO GARANTÍA

Esperamos que disfrute de nuestra garantía y le pedimos disculpas por las molestias causadas. Cualquier distribuidor de servicio autorizado puede llevar a cabo reparaciones en garantía. La mayoría de las reparaciones en garantía se gestionan normalmente, pero algunas veces la solicitud de servicio en garantía puede no ser procedente. Por ejemplo, la garantía no será válida si el equipo presenta daños debidos al mal uso, la falta de mantenimiento, el transporte, la manipulación, el almacenamiento o la instalación inadecuados. De manera similar, la garantía quedará anulada si se ha borrado la fecha de fabricación o el número de serie del equipo, o si el equipo ha sido alterado o modificado. Durante el período de garantía, el distribuidor de servicio autorizado podrá reparar o sustituir, a su libre elección, cualquier pieza que, previa inspección, sea defectuosa en condiciones normales de uso y servicio. Esta garantía no cubre las reparaciones y equipos que se detallan a continuación:

- **Desgaste normal:** Al igual que cualquier otro aparato mecánico, los equipos de uso en exteriores necesitan piezas y mantenimiento periódicos para funcionar correctamente. Esta garantía no cubre las reparaciones cuando el uso normal haya agotado la vida útil de una pieza concreta del equipo.
- **Instalación y mantenimiento:** Esta garantía no cubre los equipos ni las piezas cuya instalación sea incorrecta o no haya sido autorizada, ni aquellos que hayan sido objeto de cualquier tipo de alteración, mal uso, negligencia, accidente, sobrecarga o mantenimiento, reparación o almacenamiento inadecuados que, a nuestro juicio, haya afectado negativamente a su funcionamiento y su fiabilidad. La garantía tampoco cubre el mantenimiento normal, como los ajustes y la limpieza y cambio de los fusibles.
- **Otras exclusiones:** También quedan excluidos de esta garantía el desgaste de los artículos tales y los daños derivados de accidentes, uso indebido, modificaciones, alteraciones, servicio inadecuado. Los accesorios quedan excluidos de la garantía del producto. Esta garantía excluye los fallos debidos a hechos fortuitos y a otros acontecimientos de fuerza mayor que escapan al control del fabricante. También se excluyen los equipos usados o reacondicionados y los destinados a demostraciones. 198180S, Rev. C, 12/14/2006

BRIGGS & STRATTON POWER PRODUCTS GROUP, LLC
JEFFERSON, WI, EE.UU

Español

ES

Garantía

Reserved



Guide d'Installation et d'Utilisation

Vous avez des questions? Vous n'avez pas besoin d'aller loin pour trouver de l'aide!

Appelez: **Ligne Directe de
Commutateur de Transfert**
1-800-743-4115 M-F 8-5 CT
BRIGGSandSTRATTON.COM



100 AMP/200 AMP
Automatic Transfer Switch
with AC Power Control Module™



Nous vous remercions d'avoir acheté ce commutateur de transfert automatique de Briggs & Stratton Power Products. Ce produit est conçu pour être utilisé UNIQUEMENT avec les groupes électrogènes résidentiels Briggs & Stratton. Cet appareil est une génératrice résidentielle auxiliaire fournissant une source d'électricité de rechange et pouvant alimenter une fournaise au gaz, les systèmes de réfrigération et les systèmes de communication qui, lorsqu'ils sont arrêtés durant une panne d'électricité, peuvent causer de l'inconfort ou d'autres désagréments. Ce produit ne se qualifie pas comme génératrice d'urgence tel que défini par la NFPA 70 (NEC).

Ce manuel contient des renseignements sur la sécurité pour vous informer des dangers et des risques associés aux commutateurs de transfert et la façon de les éviter. La société Briggs & Stratton a tout fait pour fournir un groupe électrogène dont l'installation soit sécuritaire, facile et économique. Comme chaque installation est unique, il est impossible de connaître et de recommander une marche à suivre présentant toutes les méthodes et consignes d'installation possibles. Briggs et Stratton ignore également les dangers et/ou les résultats potentiels de chaque méthode ou procédure. Conservez ces instructions pour référence future.

Ce commutateur de transfert nécessite une installation avant l'utilisation. Consultez la section Installation de ce manuel pour les directives sur les procédures d'installation. Seuls des entrepreneurs en électricité qualifiés devraient installer des commutateurs de transfert. Toute installation doit être conforme à tous les codes, normes et à la réglementation applicables (fédéraux, provinciaux et locaux).

Où nous trouver

Vous n'avez jamais à chercher bien loin pour trouver un centre de support et service Briggs & Stratton pour votre commutateur de transfert. Consultez les Pages Jaunes. Il y a plus de 30 000 distributeurs de service après-vente agréés Briggs & Stratton dans le monde qui offrent un service de qualité. Vous pouvez aussi téléphoner au Service à la clientèle de Briggs & Stratton au **(800) 743-4115** ou communiquer avec eux par Internet à l'adresse BRIGGSandSTRATTON.com.

Commutateur de Transfert

Numéro de modèle

--	--	--	--	--	--	--	--	--	--

Révision

--	--

Numéro de série

--	--	--	--	--	--	--	--	--	--	--	--	--	--	--	--	--	--	--	--

Date d'achat

--	--	--	--	--	--

Briggs & Stratton Power Products Group, LLC
900 North Parkway
Jefferson, WI 53549

Copyright © 2006 Briggs & Stratton Power Products Group, LLC.
Tous droits réservés. Aucune partie de ce manuel ne peut être reproduite ou transmise sous n'importe quelle forme et par quelque moyen que ce soit sans l'autorisation expresse écrite de Briggs & Stratton Power Products Group, LLC.

Table des Matires

Directives de sécurité importantes	2
Au Propriétaire Résidentiel	3
Responsabilités de l'Installateur	3
Description de l'Équipement	3
Installation	4
Déballage	4
Consignes d'installation	4
Interconnexions du câblage d'alimentation	6
Câblage de contrôle	7
Configuration du système	7
Commandes	8
Fonctionnement	8
Mise à l'essai du commutateur de transfert automatique	8
Entretien	9
Caractéristiques	9
Depannage	10
Garantie	11

Sécurité

Instalación

Commandes

Fonctionnement

Entretien

Dépannage

Garantie

Veillez conserver ces instructions

Directives de sécurité importantes



Ceci est la sûreté le symbole vif. Il est utilisé pour vous alerter aux dangers de blessure personnels potentiels. Obéir tous messages de sûreté qui suivent ce symbole éviter la blessure ou la mort possibles.

Le symbole indiquant un message de sécurité est accompagné d'un mot indicateur (DANGER, ATTENTION, AVERTISSEMENT), d'un message illustré et/ou d'un message de sécurité visant à vous avertir des dangers.

DANGER indique un danger qui, s'il n'est pas évité, *provoquera* des blessures graves, voire fatales.

AVERTISSEMENT indique un danger qui, s'il n'est pas évité, *peut* provoquer des blessures graves, voire fatales.

ATTENTION indique un danger qui, s'il n'est pas évité, *peut* provoquer des blessures mineures ou légères. Le mot **AVIS** indique une situation pouvant endommager l'équipement. Suivez les messages de sécurité pour éviter ou réduire les risques de blessures ou de mort.

Le fabricant ne peut anticiper toutes les circonstances potentielles pouvant comporter un danger. Par conséquent, les avertissements contenus dans le présent manuel, ainsi que les plaques et les décalques apposés sur l'unité n'englobent pas toutes les possibilités. Si vous utilisez une procédure, une méthode de travail ou une technique d'opération non spécifiquement recommandée par le fabricant, vous devez vous assurer qu'elle ne compromet pas votre sécurité ni celle des autres. Vous devez également vous assurer que la procédure, la méthode de travail ou la technique d'opération que vous choisissez ne rende pas la génératrice dangereuse.



AVERTISSEMENT

Seuls les électriciens et les techniciens en combustibles gazeux qualifiés peuvent procéder à l'installation de ce système, laquelle doit se conformer strictement aux codes, aux normes et aux réglementations applicables.



AVERTISSEMENT



Les fils de basse tension ne peuvent être installés dans le même conduit que les fils d'alimentation.

- Le non-respect de cet avertissement pourrait entraîner des blessures personnelles et l'endommagement ou le mauvais fonctionnement de l'équipement.



AVERTISSEMENT



Ne pas relier le commutateur de transfert à la terre risque de provoquer des électrocutions.

- Ne touchez pas les fils dénudés ou les boîtiers.
- N'utilisez pas le commutateur de transfert avec des cordons électriques usés, effilochés ou dénudés, ou abîmés de quelque sorte que ce soit.
- Ne manipulez pas les cordons d'alimentation lorsque vous êtes debout dans l'eau, pieds nus ou avec les mains ou les pieds humides.
- Si vous devez travailler autour d'une unité alors qu'elle est en marche, placez-vous sur une surface sèche isolée afin de réduire les risques de choc électrique.
- Ne laissez pas des personnes non qualifiées ou des enfants se servir ou réparer le commutateur de transfert.
- En cas d'accident causé par un choc électrique, procédez immédiatement à la mise hors tension de l'alimentation électrique et contactez des autorités locales. **Évitez tout contact direct avec la victime.**



AVERTISSEMENT



Le commutateur de transfert contient une haute tension qui peut causer des blessures personnelles ou la mort.

- En dépit de la conception sécuritaire du commutateur de transfert, le fait d'opérer l'équipement de façon imprudente, de ne pas l'entretenir ou d'être négligent peut causer des blessures et la mort.

AVIS

Un traitement inapproprié du commutateur de transfert risque de l'endommager et de raccourcir sa durée d'utilisation.

- Ne vous servez du commutateur de transfert que pour les utilisations prévues.
- Si vous avez des questions concernant les utilisations prévues, demandez à votre distributeur ou contactez Briggs and Stratton Power Products.
- N'exposez pas le commutateur de transfert à une humidité excessive, à de la poussière, à de la saleté ou à des vapeurs corrosives.
- Demeurez alerte en tout temps lorsque vous travaillez sur cet équipement. Ne travaillez jamais sur l'équipement si vous êtes fatigué physiquement ou mentalement.
- Si les appareils branchés surchauffent, éteignez-les et mettez leur disjoncteur ou fusible hors tension.

Introduction

Votre commutateur de transfert Briggs & Stratton Power Products est livré avec le présent "Guide d'installation et d'utilisation". Ce guide est un document important; conservez-le après avoir complété l'installation.

Tout a été fait pour s'assurer que les renseignements contenus dans le présent guide soient exacts et à jour. Toutefois, le fabricant se réserve le droit de changer, de modifier ou encore d'améliorer le système en tout temps, et ce, sans préavis.

Au Propriétaire Résidentiel

Afin de vous aider à faire des choix avisés et à communiquer efficacement avec l'entrepreneur qui procédera à l'installation,

Veillez lire avec soin la section Conseils au propriétaire dans le présent guide avant de contracter un entrepreneur ou de commencer l'installation de votre commutateur de transfert.

Pour assurer une installation adéquate, veuillez contacter le magasin qui vous a vendu votre commutateur de transfert Briggs & Stratton Power Products, votre détaillant ou votre fournisseur de services d'électricité.

Si l'installation du commutateur de transfert n'est pas effectuée par des professionnels certifiés en électricité, la garantie sera ANNULÉE.

Conseils au Propriétaire

Les illustrations se rapportent à des cas typiques et ont pour but de vous familiariser avec les différentes options d'installation de votre commutateur de transfert dont vous disposez.

Au moment de négocier avec un installateur professionnel, il faudra tenir compte des facteurs suivants : les codes de sécurité locaux, l'apparence, et les distances. Souvenez-vous que plus grandes sont les distances entre le groupe électrogène et le service électrique existant ainsi que l'alimentation, plus il faudra faire des compensations dans les matériaux et le câblage. Ces modifications sont nécessaires pour vous conformer aux codes de sécurité locaux et pour surmonter les chutes de tension.

Les facteurs mentionnés ci-dessus auront une incidence directe sur le prix total de l'installation de votre commutateur de transfert.

REMARQUE: Votre installateur est tenu de vérifier les codes locaux ET d'obtenir les permis requis avant de procéder à l'installation du système.

- Vous devez lire et suivre les instructions indiquées dans le manuel.
- Établissez un programme de soins et d'utilisation régulier de votre commutateur de transfert, tel qu'indiqué dans le manuel.

Responsabilités de l'Installateur

- Vous devez lire et respecter les règles de sécurité décrites dans le manuel.
- Vous devez lire et suivre les instructions indiquées dans le présent le manuel.
- Vérifiez les codes fédéraux, provinciaux et locaux et auprès des autorités compétentes si vous avez des questions concernant l'installation.
- S'assurer que la génératrice n'est pas surchargée par des charges sélectionnées.

Pour de plus amples renseignements sur le commutateur de transfert, téléphonez au 1-800-743-4115, de 8h à 17h, heure du Centre.

Description de l'Équipement

Ce commutateur de nouvelle génération a été conçu pour transférer la charge complète d'appareils résidentiels courants, lorsqu'il est utilisé avec les contacts de contrôle fournis. La charge est branchée à l'alimentation de service (normal) ou à la génératrice de secours résidentielle (génératrice). En contrôlant la tension de service et celle de la génératrice, le commutateur de transfert se branche automatiquement à la source d'électricité appropriée.

Les principaux éléments du commutateur de transfert sont constitués d'un l'utilité débranche le disjoncteur bipolaire (modèles 071018 et 071019 seulement), un interrupteur bipolaire bidirectionnel, un module de commande comprenant une carte de circuit imprimé, des bornes de détection de tension avec fusible et le câblage de raccordement. Le module de commande est également doté de deux entrées pour transformateur de courant qui détectent le courant de la génératrice.

Le commutateur de transfert électromagnétique est actionné par la tension de service et de la génératrice et comporte des contacteurs d'interdiction mécaniques ou électriques appropriés qui éliminent le risque de brancher l'alimentation de service à la sortie de la génératrice. Sa capacité nominale est suffisante pour commuter toute la puissance de service de la résidence. Le commutateur comporte un levier de priorité pour transférer l'alimentation manuellement.

La carte du module de commande comprend des circuits actifs qui contrôlent les tensions de service et de la génératrice. Elle produit les signaux de démarrage de la génératrice ainsi que de transfert et de retransfert lorsque l'alimentation de service est rétablie et à la fin du refroidissement de la génératrice. Le module de commande comprend aussi des voyants rouge et vert indiquant les sources d'alimentation disponibles et deux contacts commandés par relais pour le contrôle des charges critiques externes.

Installation

Déballage

Vérification de la Livraison

Après avoir enlevé le carton, examinez avec soin les éléments du commutateur de transfert automatique pour tout dommage subi durant l'expédition.

IMPORTANT: Au moment de la livraison, si vous remarquez des dommages ou des pièces manquantes, demandez au livreur de noter tous les dommages sur la facture de fret et d'apposer sa signature dans l'espace réservé à cet effet. Après la livraison, si vous remarquez des pièces manquantes ou des dommages, mettez les pièces endommagées de côté et communiquez avec le transporteur pour connaître les procédures de réclamation. Les pièces manquantes ou endommagées ne sont pas garanties.

Contenu de la Boîte

- Commutateur de Transfert Automatique
- Deux transformateurs de courant
- Manuel de d'Installation et l'utilisation

Consignes d'installation

Le commutateur de transfert automatique est contenu dans un boîtier de type NEMA 3R adapté pour usage interne et externe.

Consignes d'installation du commutateur de transfert automatique:

- Installation du commutateur sur une structure portante ferme et robuste.
- Le commutateur doit être installé avec les connexions de conduit de fo de matériel de NEMA 3R minimum.
- Au besoin, nivelez le commutateur pour éviter les distorsions. Ceci peut être accompli en insérant des rondelles entre le boîtier du commutateur et la surface de fixation.
- Ne jamais installer le commutateur dans un endroit une substance corrosive pourrait s'y infiltrer.
- Protégez le commutateur en tout temps contre l'humidité, les poussières, les saletés, les peluches, le gravier et les vapeurs corrosives.

La figure 1 illustre une installation type du commutateur de transfert automatique, modèles 071018 et 071019. La figure 2 illustre une installation type du commutateur de transfert automatique, modèles 071020 et 071021. La figure 3 illustre une installation alternative du commutateur de transfert automatique.

Il est recommandé d'installer le commutateur près du compteur de l'alimentation de service, soit à l'intérieur ou à l'extérieur. Discutez des suggestions/changements de disposition avec le propriétaire avant d'entamer le processus d'installation du système.

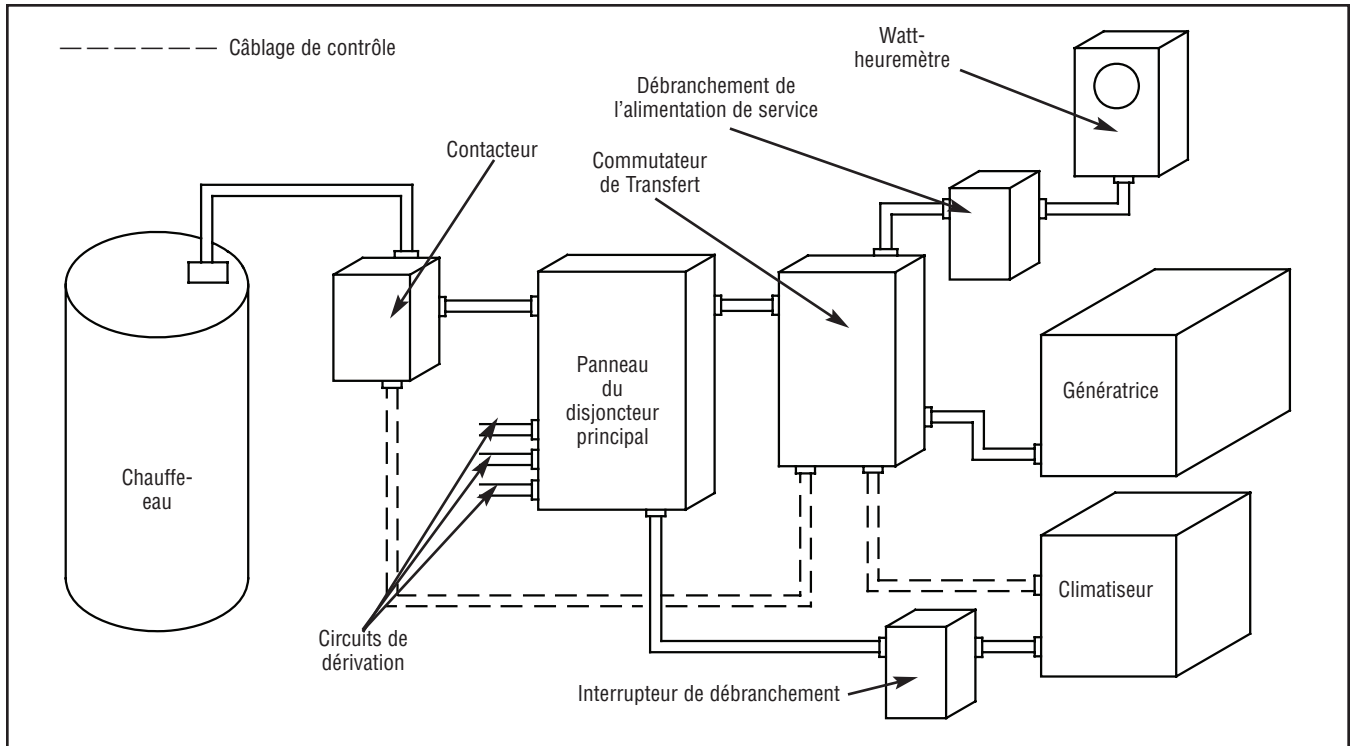


Figure 1 — Une installation type du commutateur de transfert pour les modèles 071018 et 071019

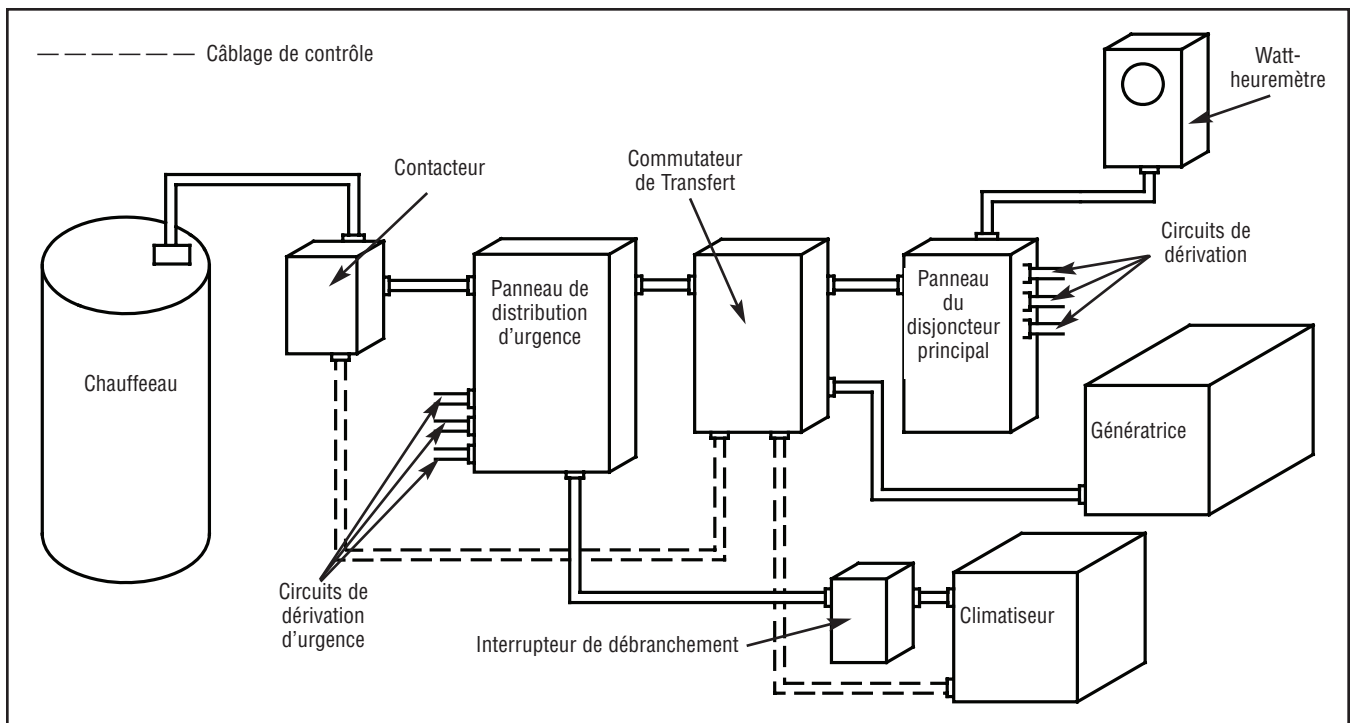


Figure 2 — Une installation alternative du commutateur de transfert pour les modèles 071020 et 071021

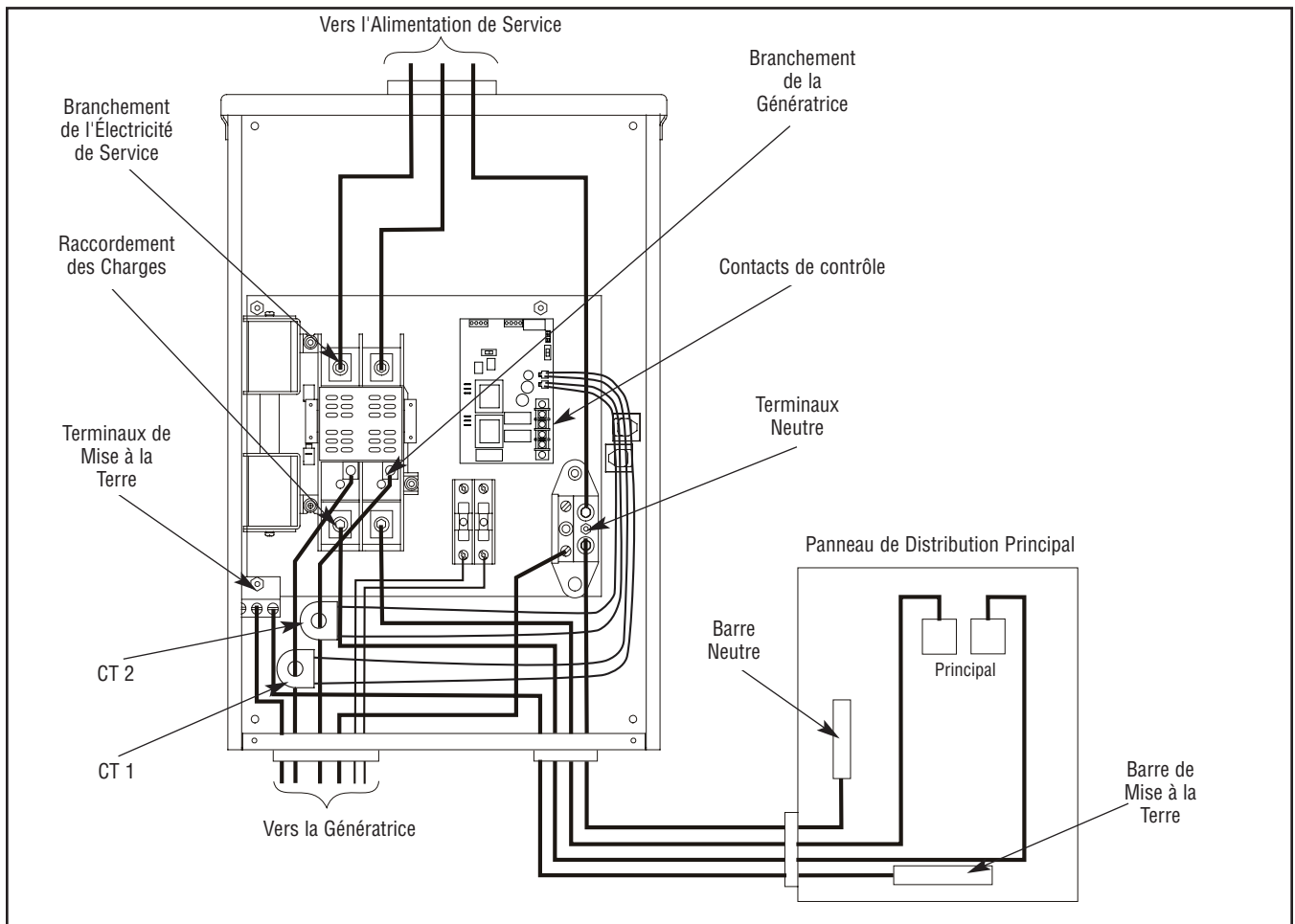


Figure 3 — Schéma d'Installation Typique du Commutateur de Transfert pour les modèles 071018 et 071019

Interconnexions du câblage d'alimentation

Tout le câblage doit être d'un gabarit approprié, bien fixé, et protégé par des conduits.

Effectuez les raccords suivants entre le commutateur de transfert, le panneau de distribution principal, l'alimentation de service et la génératrice (figure 3 à 4).

	AVERTISSEMENT
	Les fils de basse tension ne peuvent être installés dans le même conduit que les fils d'alimentation.
<ul style="list-style-type: none"> Le non-respect de cet avertissement pourrait entraîner des blessures personnelles et l'endommagement ou le mauvais fonctionnement de l'équipement. 	

- Assurez-vous que l'alimentation de service est **HORS TENSION**. Raccordez les conducteurs de la ligne d'alimentation de service aux bornes « UTILITY CONNECTION » du commutateur de transfert.
- Raccordez le neutre de service à la borne "NEUTRAL" du commutateur de transfert.

- Raccordez les fils d'alimentation du panneau de distribution principal aux bornes "LOAD CONNECTION" du commutateur de transfert.
- Raccordez le fil neutre du panneau de distribution principal à la borne "NEUTRAL" du commutateur de transfert.
- Raccordez le conducteur à la terre du panneau de disjoncteur principal à la borne « GND » du commutateur de transfert.

REMARQUE : Assurez-vous que le conducteur à la terre d'équipement de la génératrice est raccordée selon les normes, la réglementation et les codes fédéraux, provinciaux et locaux applicables.

- Raccordez les conducteurs de la ligne d'alimentation du tableau de commande de la génératrice aux bornes « GENERATOR CONNECTION » du commutateur de transfert.
- Tous les conducteurs devraient passer par l'ouverture du transformateur de courant avant la connexion.

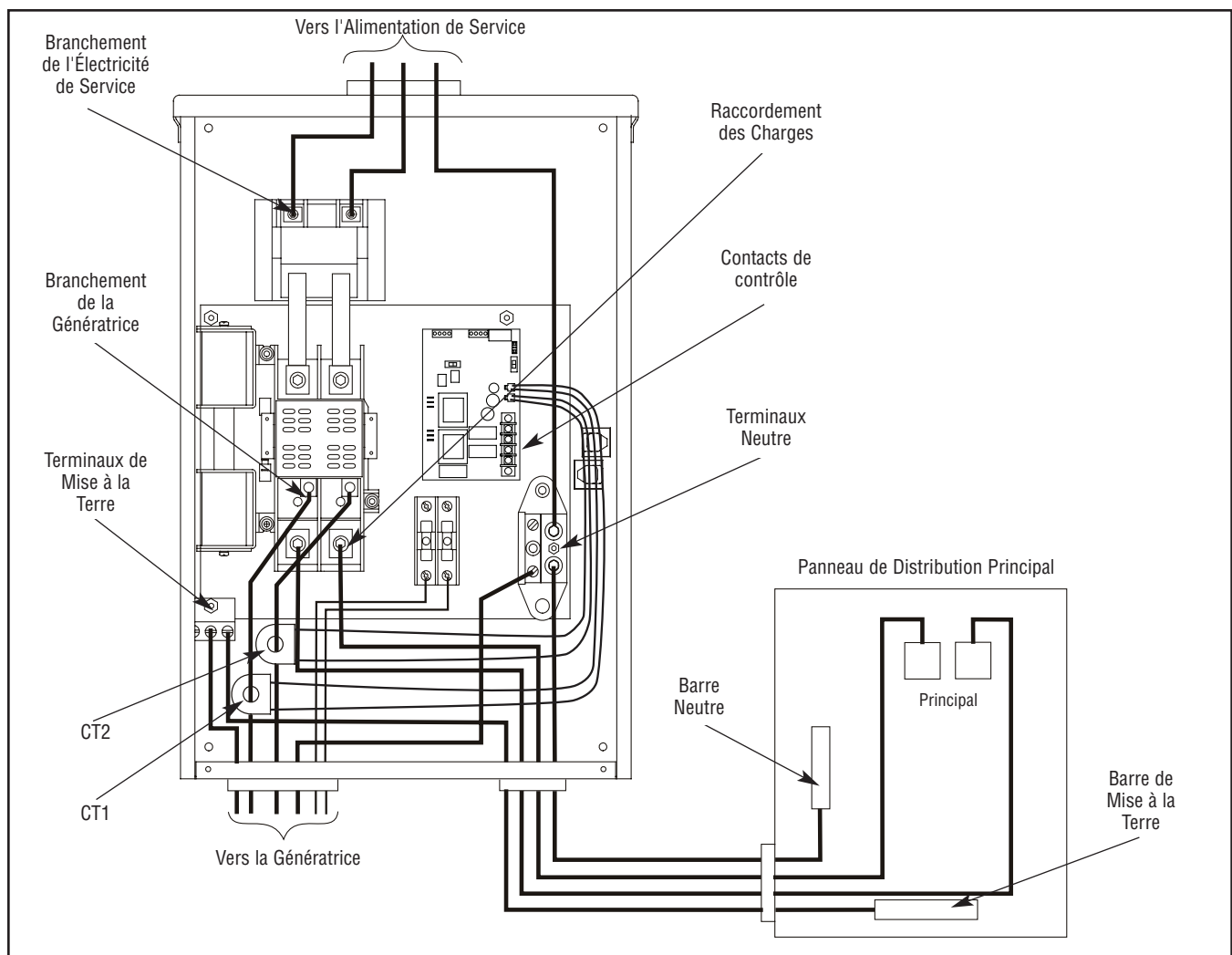


Figure 4 — Schéma d'Installation Typique du Commutateur de Transfert pour les modèles 071020 et 071021

8. Raccordez le conducteur neutre du panneau de commande de la génératrice à la borne « NEUTRAL » du commutateur de transfert.
9. Raccordez le conducteur à la terre du panneau de commande de la génératrice à la borne « GND » du commutateur de transfert.

REMARQUE : Assurez-vous que le conducteur à la terre d'équipement de la génératrice est raccordée selon les normes, la réglementation et les codes fédéraux, provinciaux et locaux applicables.

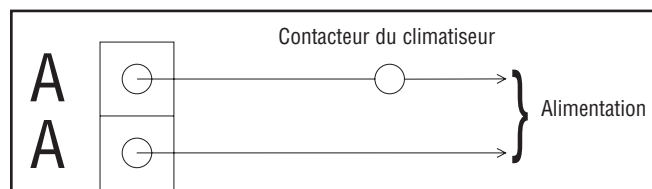
10. Raccordez les bornes « UTILITY 240 VAC » de la génératrice aux bornes « UTILITY 240 VAC » du commutateur de transfert. Utilisez des conducteurs de 14 AWG au minimum.
11. Serrez au couple approprié tous les raccords de fils et attaches. Consultez la partie intérieure du boîtier du commutateur de transfert au sujet des couples de serrage appropriés.

Câblage de contrôle

1. La barrette de raccordement du module de commande du commutateur de transfert comporte quatre raccords à l'usage du client. Deux ensembles de contacts "normalement fermés" sont disponibles. Ils sont activés lorsque la génératrice est mise en marche. Ils peuvent servir au contrôle d'importantes charges branchées à la génératrice comme. Exemple: climatiseur, chauffe-eau, etc. Les charges peuvent être activées pourvu que la génératrice produise la puissance nécessaire.

REMARQUES: Deux goulottes guide-fils sont fournies afin de garder les charges de contrôle éloignées l'une de l'autre.

2. Les bornes « A-A » du module de commande servent à la commande du contacteur du climatiseur. Les contacts sont branchés en série au circuit de commande du contacteur du climatiseur (figure 5).



3. Les bornes « B-B » du module de commande servent au contrôle des charges importantes par le contacteur fourni par l'installateur. Exemple : chauffe-eau électriques. Les contacts sont branchés en série au circuit de commande du contacteur (figure 6).

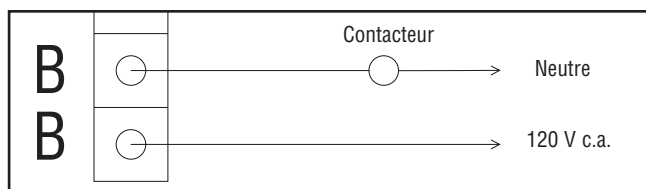


Figure 6 — Bornes "B-B"

4. Serrez au couple approprié tous les raccords de fils et attaches. Consultez la partie intérieure du boîtier du commutateur de transfert au sujet des couples de serrage appropriés.

Configuration du système

Vous devez effectuer les étapes suivantes sur le module de commande avant d'utiliser le système :

- Si la génératrice est située dans une zone régulièrement soumise à des températures inférieures à 40°F (4°C), sélectionnez une durée de réchauffement de 50 secondes en déplaçant le cavalier installé sur JP2 (Figure 7) de la position « 20 » à la position « 50 ».
- Placez l'interrupteur à deux positions (Figure 7) à la position « NG » ou « LP », selon la position appropriée à votre système.
- Placez le commutateur à trois positions (Figure 7) de sorte qu'il corresponde à la valeur nominale en KW de la génératrice utilisée.

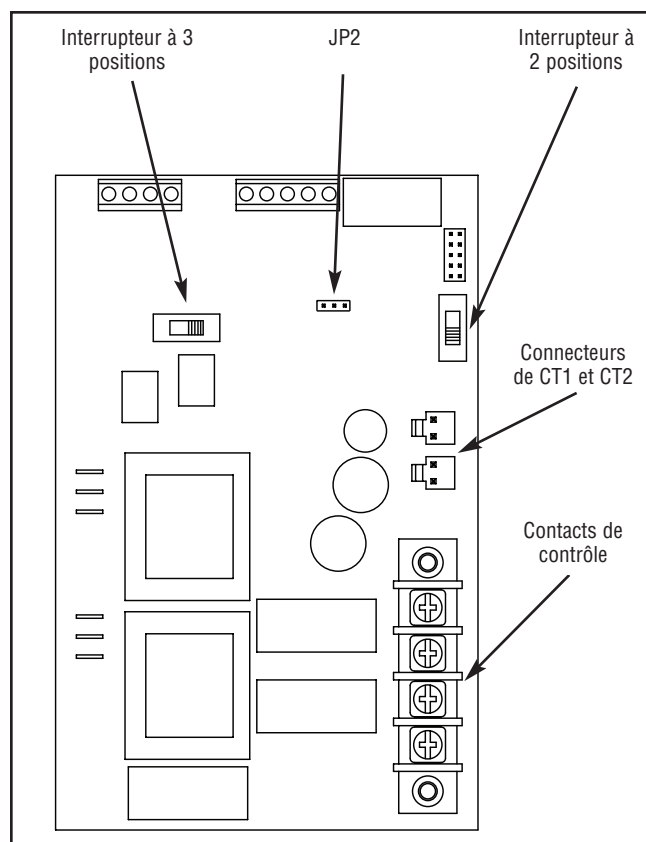


Figure 7 — Module de commande

Commandes

Outre le levier de priorité, aucune autre commande de l'opérateur n'est disponible puisqu'il s'agit d'un commutateur de transfert automatique. Seuls des techniciens professionnels qualifiés peuvent utiliser la commande manuelle de priorité.

Fonctionnement

Pour actionner le transfert automatique, suivez la procédure décrite ci-dessous:

- 1A. Réglez sur « **ON** » l'interrupteur de débranchement qui transmet l'alimentation de service au commutateur de transfert pour les modèles 071018 et 071019. Cet interrupteur est probablement situé dans le panneau de disjoncteur principal.
- 1B Réglez le disjoncteur de l'alimentation de service du commutateur de transfert sur « **ON** » pour les modèles 071020 et 071021.
2. Réglez le disjoncteur principal de la génératrice sur "**On**".
3. Installez le fusible de 15 ampères dans le panneau de commande de la génératrice.
- 4A. Si le génératrice est équipé avec un l'interrupteur ON/OFF de système, régler l'interrupteur sur "**On**".
- 4B. Si le génératrice est équipé avec un l'interrupteur AUTO/OFF/MANUAL, régler l'interrupteur sur "**AUTO**".

Le système est maintenant en mode de fonctionnement automatique.

Lorsque la génératrice transmet de la puissance à l'interrupteur de transfert, le module de commande surveille continuellement la puissance de la génératrice.

Lorsqu'une demande d'activation du climatiseur est émise, et que la puissance disponible de la génératrice est suffisante, le contrôleur ferme les contacts « A-A » vers le contacteur du climatiseur. Les contacts « B-B » s'ouvrent avant la fermeture des contacts « A-A ». Les contacts « A-A » ou « B-B » s'ouvrent lorsque les charges sont trop importantes pour la génératrice. Les contacts « A-A » s'ouvrent lorsque le climatiseur doit être mis en marche. Les contacts « B-B » se ferment lorsqu'il n'y a pas suffisamment de puissance disponible.

Mise à l'essai du commutateur de transfert automatique

Réglez l'interrupteur de débranchement alimentant le contacteur du commutateur de transfert sur "**Off**". La séquence automatique commencera. Pour revenir à l'alimentation de service, réglez l'interrupteur de débranchement sur "**On**".

Séquence Automatique

Panne de l'alimentation de service

Le capteur de tension de service détecte la chute de la tension de service sous 70 pourcent de la tension nominale. La séquence de démarrage du moteur commence après un délai de 6 secondes.

Réchauffement du moteur

Avant le transfert, il y a un délai de réchauffement du moteur de 20 secondes, ou 50 secondes avec le retrait du cavalier sur le tableau de commande.

Transfert

Le transfert de l'alimentation de service à l'alimentation de la génératrice se produit après que la tension de la génératrice dépasse un seuil prédéterminé. Après le transfert, le moteur tourne durant au moins 5 minutes.

Prise en charge de l'alimentation de service

La tension de prise en charge est de 80 pourcent de la tension nominale.

Retransfert

Le transfert de l'alimentation de la génératrice de secours à l'alimentation de service se fait 10 secondes après que la tension de service ait dépassé le niveau de prise en charge et temps d'exécution minimum est achevé.

Refroidissement du moteur

Le moteur tourne pendant 60 secondes après le transfert.

Si vous Devez Communiquer avec l'Usine

Avant de contacter Briggs and Stratton Power Products au sujet de l'entretien ou de la réparation de ce commutateur de transfert, veuillez noter les numéros de modèle et de série indiqués sur le décalque apposé sur l'unité ou à l'intérieur de celle-ci.

Pour contacter Briggs and Stratton Power Products, veuillez appeler au (800) 743-4115 de 8 h à 17 h HNC.

Entretien

Le commutateur de transfert est conçu pour ne nécessiter aucun entretien dans le cadre d'une utilisation normale. Toutefois, il faut effectuer des inspections et des vérifications d'entretien régulièrement. L'entretien consiste principalement à garder le commutateur de transfert propre.

Une inspection visuelle doit être effectuée au moins une fois par mois. L'accès au commutateur de transfert ne doit pas être obstrué. Laissez un dégagement d'au moins 1 m (3 pi) autour du commutateur de transfert. Vérifiez les accumulations de saleté, moisissure et/ou de corrosion sur le boîtier et autour de celui-ci, les pièces/quincaillerie lâches, les fissures et/ou de la décoloration sur l'isolant et les éléments endommagés ou décolorés.

Caractéristiques

UL® 1008 Enuméré Commutateur de Transfert

Modèle 071018

Charge maximum/circuit:
du point d'alimentation
des charges100 Ampères
Tension nominale C.A.250 Volts
Pôles2
Fréquence50/60 Hz
Intensité de défaillance
nominale22,000 Ampères Symétriques RMS
Valeur nominale des
contacts de contrôle A-A24 Volt c.a.
contacts de contrôle B-B .1 ampère, 125 Volt c.a., régime
de fonctionnement asservi
Poids9,5 kg (21 lb)

Modèle 071019

Charge maximum/circuit:
du point d'alimentation
des charges200 Ampères
Tension nominale C.A.250 Volts
Pôles2
Fréquence50/60 Hz
Intensité de défaillance
nominale25,000 Ampères Symétriques RMS
Valeur nominale des
contacts de contrôle A-A24 Volt c.a.
contacts de contrôle B-B .1 ampère, 125 Volt c.a., régime
de fonctionnement asservi
Poids15,4 kg (34 lb)

Faites fonctionner le commutateur de transfert au moins une fois tous les trois mois tel qu'expliqué dans la section « *Mise à l'essai du commutateur de transfert automatique* », à moins qu'une panne de courant ne survienne et que le groupe électrogène résidentiel n'ait effectué une séquence automatique.

Laissez la génératrice fonctionner pendant au moins 30 minutes.

Communiquez avec un professionnel en électricité certifié pour inspecter et nettoyer l'intérieur du commutateur de transfert au moins une fois par année.

Modèle 071020

Charge maximum/circuit:
du point d'alimentation
des charges100 Ampères
Tension nominale C.A.250 Volts
Pôles2
Fréquence50/60 Hz
Intensité de défaillance
nominale22,000 Ampères Symétriques RMS
Valeur nominale des
contacts de contrôle A-A24 Volt c.a.
contacts de contrôle B-B .1 ampère, 125 Volt c.a., régime
de fonctionnement asservi
Poids14,5 kg (32 lb)

Modèle 071021

Charge maximum/circuit:
du point d'alimentation
des charges200 Ampères
Tension nominale C.A.250 Volts
Pôles2
Fréquence50/60 Hz
Intensité de défaillance
nominale25,000 Ampères Symétriques RMS
Valeur nominale des
contacts de contrôle A-A24 Volt c.a.
contacts de contrôle B-B .1 ampère, 125 Volt c.a., régime
de fonctionnement asservi
Poids20 kg (44 lb)

Depannage

PROBLÈMES	CAUSE	SOLUTION
Le commutateur de transfert automatique ne transfère pas à la génératrice	<ol style="list-style-type: none"> 1. Le disjoncteur de la génératrice est ouvert. 2. La tension de la génératrice n'est pas adéquate. 	<ol style="list-style-type: none"> 1. Réarmez le disjoncteur de la génératrice. 2. Reportez-vous au manuel de la génératrice.
Le commutateur de transfert automatique ne transfère pas à l'alimentation de service	<ol style="list-style-type: none"> 1. L'utilité débranche le disjoncteur ouvert (modèles 071010 et 071011 seulement). 2. Le disjoncteur de l'alimentation de service est ouvert. 3. La tension de l'alimentation de service n'est pas adéquate. 	<ol style="list-style-type: none"> 1. Réarmez le utilité débranche le disjoncteur (modèles 071020 et 071021 seulement). 2. Réarmez le disjoncteur de l'alimentation de service. 3. Attendez que la tension de service revienne à la normale.
La génératrice continue de fonctionner après que le commutateur eut transféré à l'alimentation de service	La période de refroidissement n'a pas été complétée.	Le moteur devrait s'éteindre après 1 minute.
Les charges réglables (climatiseur, etc.) ne fonctionnent pas lorsque la génératrice alimente des appareils	<ol style="list-style-type: none"> 1. Les contacts « A-A » ou « B-B » ne fonctionnent pas correctement. 2. Charge trop élevée pour la génératrice. 3. Transformateur de courant pas connecté. 4. Transformateur de courant défectueux. 	<ol style="list-style-type: none"> 1. Vérifiez le fonctionnement des contacts « A-A » ou « B-B et/ou le câblage de commande vers des charges externes. 2. Diminuez la charge sollicitée de la génératrice. 3. Raccordez les connecteurs du transformateur de courant au tableau de commande. 4. Communiquez avec un centre de service Briggs & Stratton Power Products.
La génératrice demeure en marche après le rétablissement de l'alimentation de service	<ol style="list-style-type: none"> 1. La période de fonctionnement minimum du moteur ne s'est pas écoulée. 2. Le ou les fusibles du commutateur de transfert sont défectueux. 	<ol style="list-style-type: none"> 1. Attendez cinq minutes pour que le commutateur de transfert transfère à l'alimentation de service. 2. Vérifiez le ou les fusibles et remplacez-les au besoin.

GARANTIE DU PROPRIÉTAIRE DU COMMUTATEUR DE TRANSFERT BRIGGS & STRATTON POWER PRODUCTS GROUP, LLC

Prise d'effet au 1^{er} Novembre 2005, annule et remplace toutes les garanties précédentes et les garanties antérieures au 1^{er} Novembre 2005

GARANTIE LIMITÉE

Briggs & Stratton Power Products Group, LLC réparera ou remplacera, sans frais, toutes pièces d'équipement défectueuses comportant un vice de matériau ou un défaut de fabrication ou les deux. En vertu de la présente garantie, les frais de transport des produits soumis pour réparation ou remplacement sont à la charge de l'acheteur. La présente garantie sera en vigueur durant les périodes stipulées ci-dessous et est assujettie aux conditions stipulées ci-dessous. Pour obtenir des services en vertu de la garantie, veuillez consulter notre Outil de recherche d'un Service après-vente agréé au <http://www.BRIGGSandSTRATTON.COM> afin de trouver un distributeur de service après-vente agréé dans votre région.

IL N'EXISTE AUCUNE AUTRE GARANTIE EXPRESSE. LES GARANTIES IMPLICITES, INCLUANT CELLES DE QUALITÉ MARCHANDE ET D'ADAPTATION À UN USAGE PARTICULIER, SONT LIMITÉES À UNE PÉRIODE D'UN AN À PARTIR DE LA DATE D'ACHAT OU JUSQU'À LA LIMITE PERMISE PAR LA LOI, TOUTE GARANTIE IMPLICITE EST EXCLUE. LA RESPONSABILITÉ POUR DOMMAGES ACCESSOIRES OU INDIRECTS EST EXCLUE DANS LA MESURE OÙ UNE TELLE EXCLUSION EST PERMISE PAR LA LOI. Certains États/provinces ou pays n'autorisent aucune restriction sur la durée d'une garantie implicite, et certains États/provinces ou pays n'autorisent pas l'exclusion ou la limitation des dommages consécutifs ou indirects. Par conséquent, les restrictions et exclusions décrites ci-dessus pourraient ne pas s'appliquer dans votre cas. La présente garantie vous accorde certains droits légaux spécifiques et vous pourriez également en avoir d'autres, qui peuvent varier d'un État ou d'une province à l'autre et d'un pays à l'autre.

PÉRIODE DE GARANTIE

Usage par un consommateur	3 ans
Usage à des fins commerciales	aucune

La période de garantie débute à la date d'achat par le premier acheteur au détail ou par le premier utilisateur commercial final, et se prolonge pour la durée stipulée dans le tableau ci-dessus. "Usage par un consommateur" signifie utilisation domestique personnelle dans une résidence, par l'acheteur au détail. "Usage à des fins commerciales" signifie toute autre utilisation, y compris à des fins commerciales, générant de revenus ou de location. Aux fins de la présente garantie, dès qu'un équipement a été utilisé commercialement une fois, il est par la suite considéré comme étant d'usage à des fins commerciales. L'équipement utilisé pour l'alimentation principale n'est pas couvert par la présente garantie.

POUR EXERCER LA GARANTIE SUR TOUT PRODUIT FABRIQUÉ PAR BRIGGS & STRATTON, IL N'EST PAS NÉCESSAIRE DE L'ENREGISTRER. CONSERVEZ LE REÇU COMME PREUVE D'ACHAT. SI, LORS D'UNE RÉCLAMATION DE GARANTIE, VOUS NE POUVEZ PROUVER LA DATE INITIALE DE L'ACHAT, NOUS UTILISERONS LA DATE DE FABRICATION DU PRODUIT COMME DATE DE RÉFÉRENCE POUR DÉTERMINER LA PÉRIODE DE GARANTIE.

À PROPOS DE LA ÉQUIPEMENT GARANTIE

Nous acceptons de faire effectuer les réparations couvertes par la garantie et tenons à nous excuser pour tout inconvénient subi. Tout agent d'un service après-vente agréé peut exécuter les réparations couvertes par la garantie. La plupart des réparations couvertes par la garantie sont traitées automatiquement; cependant, il arrive parfois que les demandes de service en vertu de la garantie soient non fondées. Par exemple, la garantie ne couvre pas les dommages causés à l'équipement par une utilisation abusive, par un manque d'entretien périodique, durant l'expédition, la manutention ou l'entreposage, ou en raison d'une installation inadéquate. De même, la garantie sera annulée si la date de fabrication ou le numéro de série apposé à l'équipement a été enlevé ou si l'équipement a été changé ou modifié. Durant la période de garantie, le distributeur de service après-vente agréé réparera ou remplacera, à son gré, toute pièce qui, après examen, est trouvée défectueuse à la suite d'une utilisation et d'un entretien normaux. La présente garantie ne couvre pas les réparations et les équipements suivants:

- **Usure normale:** Comme tout autre dispositif mécanique, les groupes électrogènes d'extérieur nécessitent l'entretien périodiques de certaines pièces pour fonctionner adéquatement. La présente garantie ne couvre pas les frais de réparation des pièces ou des équipements dont la durée de vie utile a été dépassée à la suite d'une utilisation normale.
- **Installation et entretien:** La présente garantie ne couvre pas les équipements ou les pièces qui ont fait l'objet d'une installation ou de modifications et de changements inadéquats ou non autorisés, d'une mauvaise utilisation, de négligence, d'un accident, d'une surcharge, d'entretien inadéquat, de réparation ou d'entreposage qui, selon nous, auraient nui à la performance et à la fiabilité du produit. De plus, la garantie ne couvre pas l'entretien normal tel que le réglage, le nettoyage et remplacement de fusible.
- **Exclusions supplémentaires:** La présente garantie exclut les pièces qui s'usent ou tout dommage ou tout mauvais fonctionnement résultant d'un accident, d'une utilisation abusive, de modifications, de changements ou d'un entretien inadéquat du système. La garantie du produit ne couvre pas les pièces accessoires. Cette garantie exclut toute défaillance due à une catastrophe naturelle ou à toute autre force majeure hors du contrôle du fabricant. Est aussi exclu tout équipement usé, remis à neuf ou de démonstration. 198180F, Rev. C, 12/14/2006

BRIGGS & STRATTON POWER PRODUCTS GROUP, LLC
JEFFERSON, WI, USA

Français

FR

Garantie



BRIGGS & STRATTON POWER PRODUCTS GROUP, LLC
JEFFERSON, WI, USA